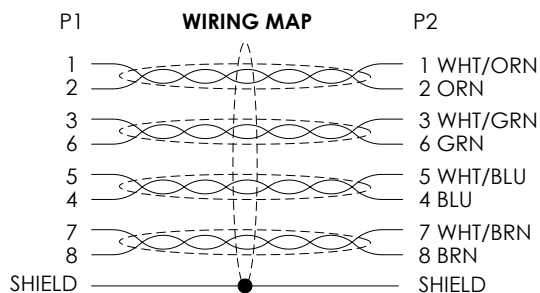
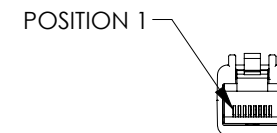
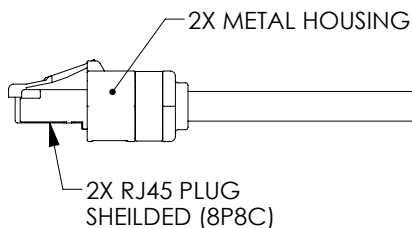
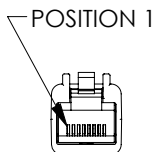
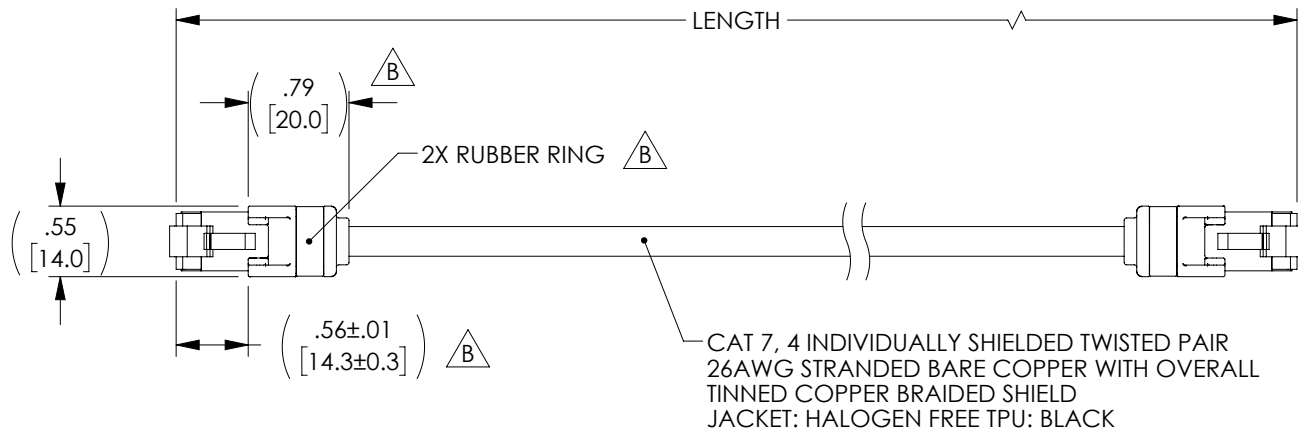


THE INFORMATION CONTAINED IN THIS DRAWING IS THE SOLE PROPERTY OF L-COM, INC. ANY REPRODUCTION IN PART OR WHOLE WITHOUT THE WRITTEN PERMISSION OF L-COM, INC. IS PROHIBITED.

REVISIONS			
REV	DESCRIPTION	DATE	APPROVED
A	REV A DRAWING RELEASED	11/29/2018	DFRISIELLO
B	ECN 9706: REVISED REAR HOUSING AND DIMENSIONS	02/21/2019	DFRISIELLO



MODEL NUMBER	LENGTH METERS [FEET]
TRG795MZ-01	1.0 [3.28]
TRG795MZ-02	2.0 [6.56]
TRG795MZ-03	3.0 [9.84]
TRG795MZ-05	5.0 [16.41]
TRG795MZ-10	10.0 [32.81]

Australian Representatives
ROJONE, PTY LTD.

Tel: 02 9829 1555
E: sales@rojone.com.au
www.rojone.com.au

NOTES:

1. CABLE ASSEMBLY SHALL BE TESTED FOR CONTINUITY.
2. CABLE IS UV & OIL RESISTANT WITH UL AWM 20622 FLAME RESISTANCE.
3. CABLE ASSEMBLY SHALL BE INDIVIDUALLY PACKAGED.

UNLESS OTHERWISE SPECIFIED, DIMENSIONS ARE IN INCHES [mm] OVERALL CABLE LENGTH TOLERANCE: ≤12 [305] = +1 [25] / -0 >12 [305] ≤60 [1524] = +2 [51] / -0 >60 [1524] ≤120 [3048] = +4 [102] / -0 >120 [3048] ≤300 [7620] = +6 [152] / -0 >300 [7620] = +5% / -0%	APPROVALS	DATE
	DRAWN BY DFRISIELLO	11/28/2018
	CHECKED BY DGUTTADAUR	11/28/2018
	APPROVED BY DGUTTADAUR	11/28/2018
ALL OTHER DIMENSIONAL TOLERANCES: .X = ± .2 [5.08] .XX = ± .02 [5.1] .XXX = ±.005 [1.3]	CONFIGURATION DETAILS OF UNDIMENSIONED FEATURES MAY VARY	
PROJECTION 	COLOR VARIATIONS MAY OCCUR	

L-com Global Connectivity
50 HIGH STREET NORTH ANDOVER, MA 01845

CATEGORY: TELECOM/MODULAR

PRODUCT DESCRIPTION: Cat 7 Gig-E RJ45 S/FTP LSZH TPU BLK

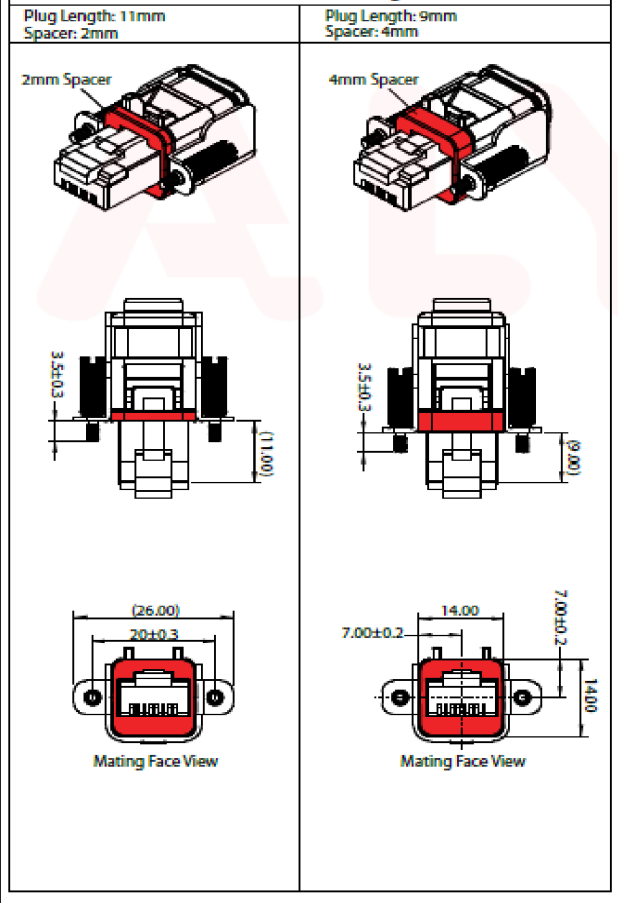
SIZE A	FSCM NO. 43321	DWG. NO. TRG795MZ	REV. B
------------------	--------------------------	-----------------------------	------------------

SCALE: NONE | CAD FILE: TRG795MZ.SLDDRW | SHEET 1 OF 2

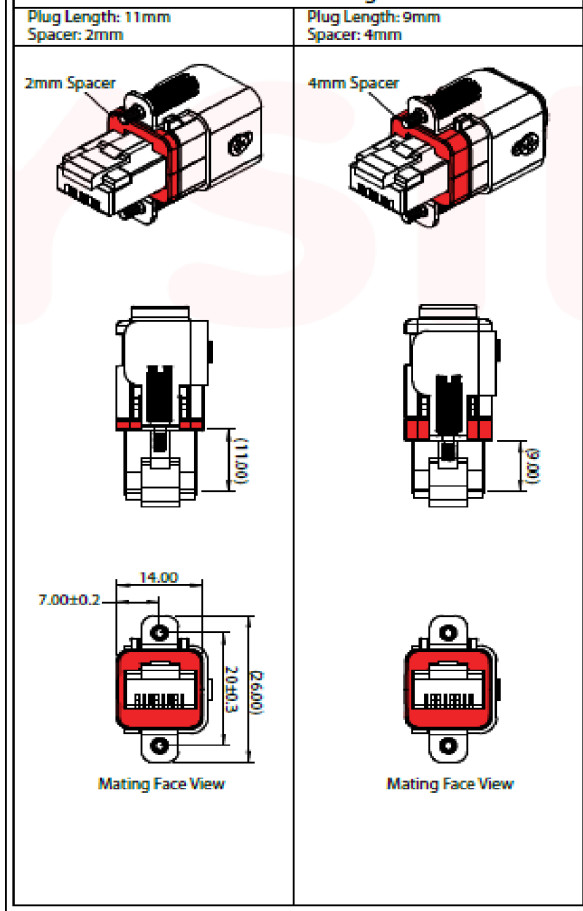
THE INFORMATION CONTAINED IN THIS DRAWING IS THE SOLE PROPERTY OF L-COM, INC. ANY REPRODUCTION IN PART OR WHOLE WITHOUT THE WRITTEN PERMISSION OF L-COM, INC. IS PROHIBITED.

PLUG LENGTH & LOCKING BRACKET CUSTOMIZATION:

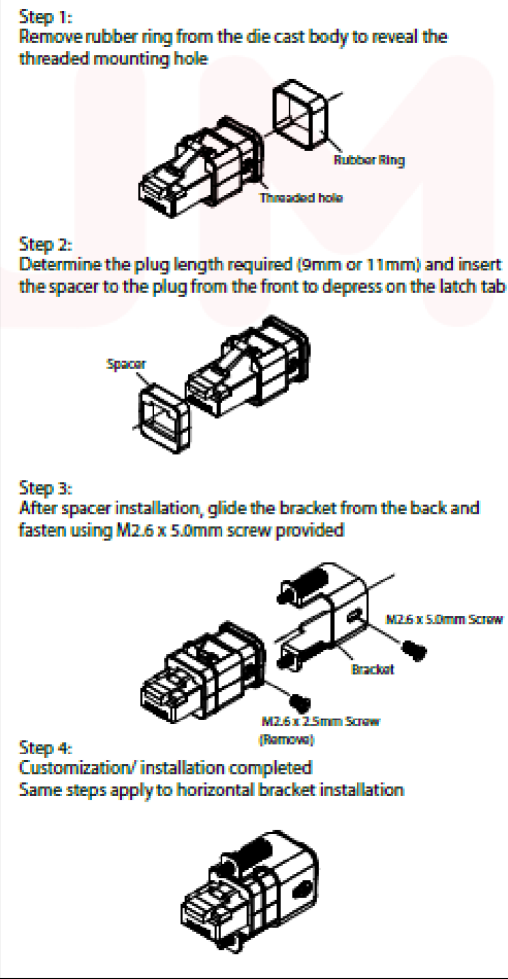
Horizontal Locking



Vertical Locking

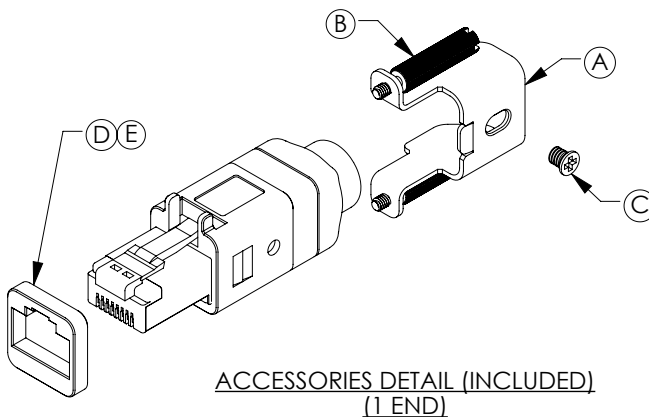


Bracket Installation Guide line



ITEM LETTER	SEPARATE ACCESSORIES	QTY
A	SHEET METAL BRACKET	1
B	M2 THUMBSCREW	2
C	M2.6x5.0mm FLAT HD SCREW	1
D	SPACER 2mm	1
E	SPACER 4mm	1

NOTE:
ALL DIMENSIONS ARE IN MILLIMETERS.



L-com Global Connectivity		50 HIGH STREET NORTH ANDOVER, MA 01845	
CATEGORY			
TELECOM/MODULAR			
PRODUCT DESCRIPTION			
Cat 7 GigE-RJ45 S/STP LSZH TPU BLK			
SIZE	CAGE CODE	DWG. NO.	REV.
A	43321	TRG795MZ	B
SCALE: NONE	CAD FILE: TRG795MZ.SLDDRW	SHEET 2 OF 2	