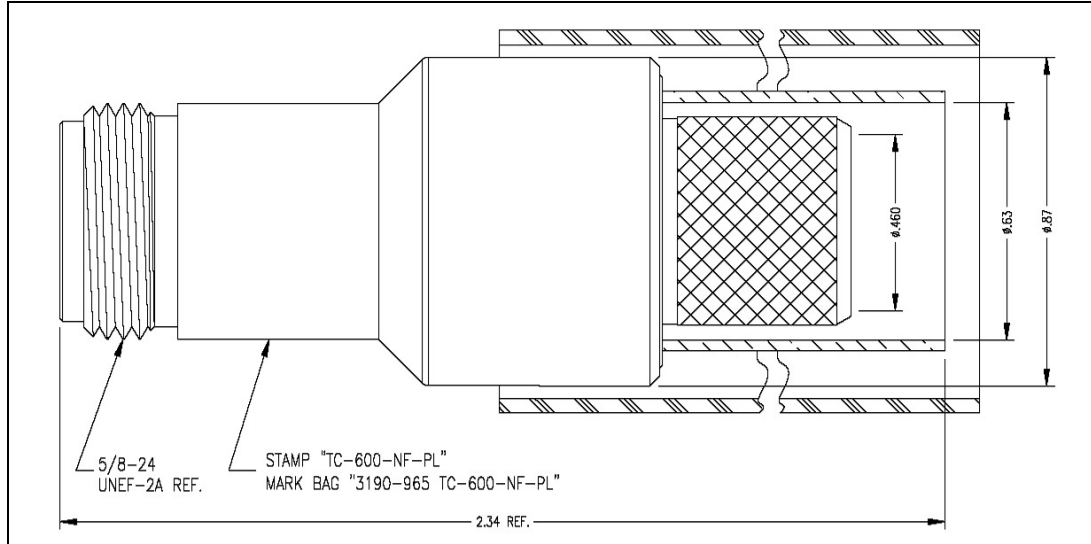


THE REVISION STATUS OF ALL SHEETS OF THIS DRAWING IS THE SAME AS SHEET 1

LTR	DESCRIPTION	DATE	BY
-	Released	3/14/02	JCL



I. MATERIALS & FINISHES

center contact: Gold Plated Brass
 outer contact: Silver Plated Brass
 body: Silver Plated Brass
 crimp sleeve: Silver Plated Copper
 dielectric: Teflon® PTFE
 shrink sleeve: Adhesive Lined Polyolefin
 crimp size: .610" hex

II. ELECTRICAL PROPERTIES

impedance: 50 ohms
 working voltage: 1000 vrms (max)
 vswr: 1.25:1 (max) up to 6 GHz
 insertion loss: 0.1 x √Fghz



Australian Representatives
ROJONE, PTY LTD.
 Tel: 02 9829 1555
 E: sales@rojone.com.au
 www.rojone.com.au

Unless otherwise specified, dimensions are in inches. Tolerances are applicable when specified.

These drawings and specifications contain proprietary information which is the property of Times Microwave Systems.

Approvals		
Drawn	JCL	3/14/02



TIMES MICROWAVE SYSTEMS
 Wallingford, CT 06492
 (203) 949-8400; (203) 949-8423.Fax
 www.timesmicrowave.com

TC-600-NF-PL
 Type-N Female (jack)
 for LMR-600-LLPLCable

Size A	CAGE CODE 68999	Drawing No.: 3190-965
Scale: NA		Rev. ()
Sheet: 1 of 1		