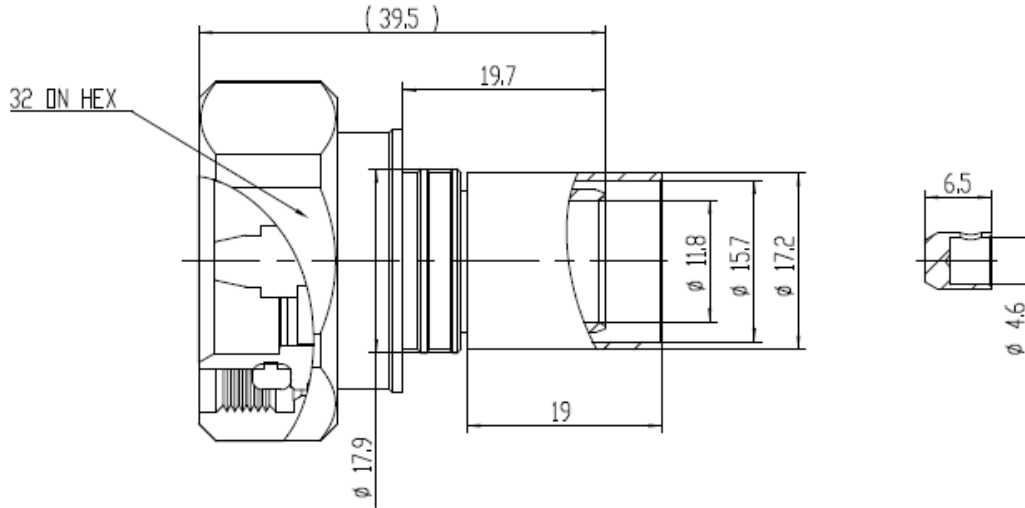


NOTICE OF PROPRIETARY RIGHTS THIS DOCUMENT CONTAINS CONFIDENTIAL TECHNICAL DATA, INCLUDING TRADE SECRETS, PROPRIETARY TO TIMES MICROWAVE SYSTEMS. DISCLOSURE OF THIS DATA IS EXPRESSLY CONDITIONED UPON YOUR ASSENT THAT ITS USE IS LIMITED TO USE WITHIN YOUR COMPANY ONLY. ANY OTHER USE IS STRICTLY PROHIBITED WITHOUT THE PRIOR WRITTEN CONSENT OF TIMES MICROWAVE SYSTEMS.

SYM	REVISION DESCRIPTION	DFTM	DATE	APPD	DATE
A	RELEASED FOR PRODUCTION	K.A.M.	5/23/11	J.D.B.	6/9/11
B	CHANGED PER CDC #42268	N.N.N	5/21/15	J.D.B	5/27/15



REFERENCE STANDARD

1. ELECTRIC PERFORMANCE
 NOMINAL IMPEDANCE(Ω)
 FREQUENCY RANGE
 VSWR
 INSERT LOSS
 INSULATION RESISTANCE($M\Omega$)
 PROOF VOLTAGE(V)
 CONTACT RESISTANCE($m\Omega$)

IEC61169-4
 50
 DC-6GHz
 ≤ 1.35
 ≤ 0.05 (DC-3G)
 ≥ 10000
 2500
 OUTER CONDUCTOR < 0.2
 INNER CONDUCTOR < 0.8

2. MECHANICAL PERFORMANCE
 NUT TORQUE
 (NUT)WHORL PULL
 TENSILE FORCE(CABLE-CONNECTOR)
 TORSION(CABLE-CONNECTOR)

25N.m
 1000N
 500N
 5N.m

3. MATERIAL AND PLATING
 INNER CONDUCTOR
 OUTER CONDUCTOR
 NUT
 INSULATOR
 GASKET

SPRING COPPER/BRASS Ag5 μ m
 BRASS COPPER-TIN-ZINC2 μ m
 BRASS COPPER-TIN-ZINC2 μ m
 PTFE
 SILICONE RUBBER

4. ENVIRONMENT
 TEMPRANGE
 WEATHER STANDARD
 THERMAL SHOCK
 VIBRATION
 SHOCK
 WATERPROOFING STANDARD
 ROHS COMPLIANT

-40 $^{\circ}$ ~+85 $^{\circ}$ C
 IEC 60068 40 / 085/ 21
 IEC 60068 -2-14-Na
 IEC 60068-2-6-Fc
 IEC 60068-2-27
 IP67

5.ASSEMBLY: INNER CONDUCTOR SOLDERED AND OUTER CONDUCTOR CRIMPED

Australian Representatives
ROJONE, PTY LTD.
 Tel: 02 9829 1555
 E: sales@rojone.com.au
 www.rojone.com.au



MATL:	UNLESS OTHERWISE SPECIFIED		DFTM. K. A. M.	TIMES MICROWAVE SYSTEMS
	ALL DIMENSIONS ARE IN mm		DATE 5/23/11	
USED ON:			CHKD. J. D. B.	CONNECTOR, 7-16 MALE FOR LMR-600 (TC-600-716M-X)
			DATE 6/9/11	
SCALE: ~	DWG. SIZE A	DO NOT SCALE DRAWING	APPD. J. D. B.	SHEET 1 of 1
			DATE 6/9/11	
		CODE IDENT 68999		REV B