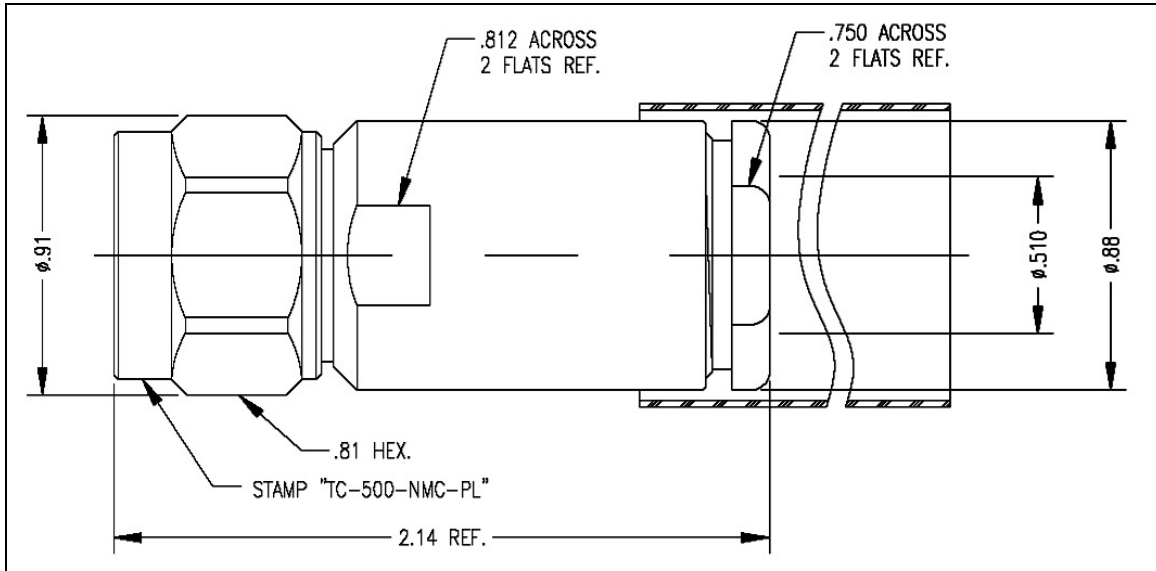


THE REVISION STATUS OF ALL SHEETS OF THIS DRAWING IS THE SAME AS SHEET 1

LTR	DESCRIPTION	DATE	BY
-	Released	4/19/00	JCL



**I. MATERIALS & FINISHES**

- center contact: Gold Plated Brass
- outer contact: Silver Plated Brass
- coupling nut: Silver Plated Brass
- body: Silver Plated Brass
- dielectric: Teflon® PTFE
- gasket: Silicone Rubber
- shrink sleeve: Adhesive Lined Polyolefin
- attachment: braid clamp

**II. ELECTRICAL PROPERTIES**

- impedance: 50 ohms
- working voltage: 1000 vrms (max)
- vswr: 1.35:1 (max) up to 2.5 GHz
- insertion loss: 0.10 x √Fghz



**Australian Representatives**  
**ROJONE, PTY LTD.**  
Tel: 02 9829 1555  
E: sales@rojone.com.au  
www.rojone.com.au

Unless otherwise specified, dimensions are in inches. Tolerances are applicable when specified.

These drawings and specifications contain proprietary information which is the property of Times Microwave Systems.

Approvals		
Drawn	JCL	4/19/00



**TIMES MICROWAVE SYSTEMS**  
Wallingford, CT 06492  
(203) 949-8400; (203) 949-8423.Fax  
www.timesmicrowave.com

**TC-500-NMC-PL**  
Type-Nmale Plug  
for LMR-500-LLPL Cable

Size A	CAGE CODE <b>68999</b>	Drawing No.: <b>3190-900</b>
Scale: NA	Rev. (-)	Sheet: 1 of 1