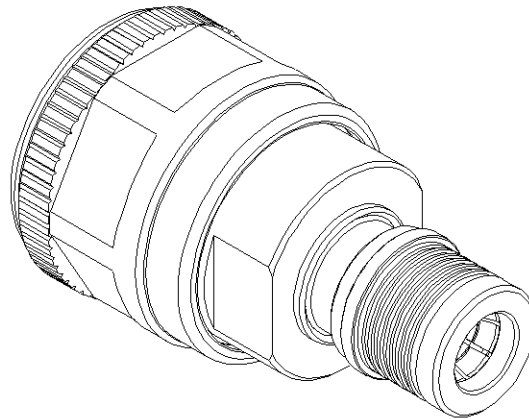
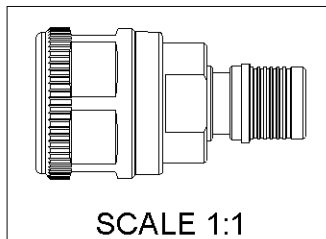
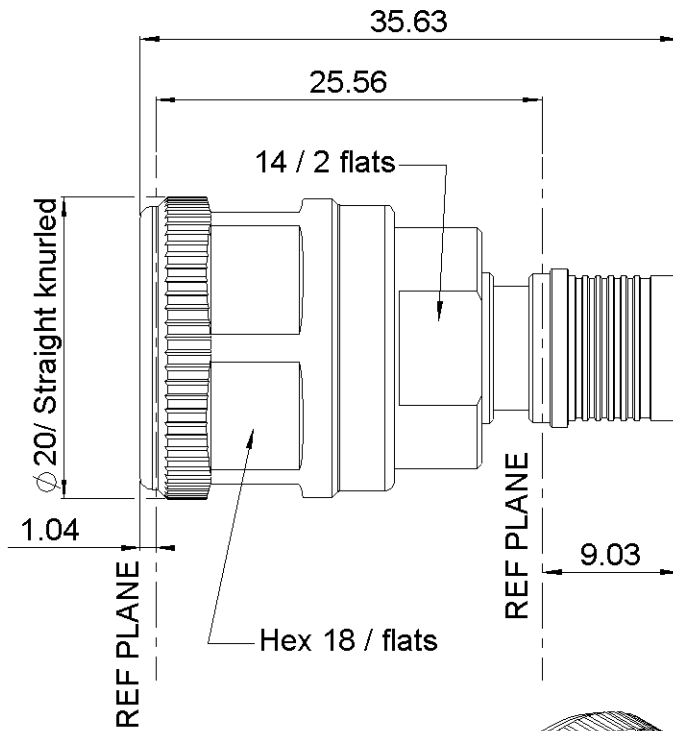
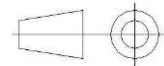


PAGE 1/2	ISSUE 18-06-15B	SERIES ADAPT	PART NUMBER R191765000
----------	-----------------	--------------	------------------------



All dimensions are in mm.



COMPONENTS	MATERIALS	PLATING ( $\mu\text{m}$ )
Body	<b>BRASS</b>	<b>BBR</b>
Center contact	<b>BRASS</b>	<b>GOLD OVER COPPER</b>
Outer contact	<b>BRONZE</b>	<b>BBR</b>
Insulator	<b>PTFE</b>	
Gasket	<b>SILICONE</b>	
Others parts	<b>BRASS</b>	<b>BBR</b>
-	-	-
-	-	-

PAGE <b>2/2</b>	ISSUE <b>18-06-15B</b>	SERIES <b>ADAPT</b>	PART NUMBER <b>R191765000</b>
-----------------	------------------------	---------------------	-------------------------------

PACKAGING

Standard	Unit	Other
<b>1</b>	<b>Contact us</b>	<b>Contact us</b>

ELECTRICAL CHARACTERISTICS

Impedance		<b>50</b>	Ω	
Frequency		<b>0 - 6</b>	GHz	
VSWR	<b>1.3</b>	<b>+</b>	<b>0.0000</b>	x F(GHz) Maxi
Insertion loss			<b>0.06</b>	√F(GHz) dB Maxi
RF leakage		<b>- (</b>	<b>*80</b>	- F(GHz) dB Maxi
Voltage rating			<b>500</b>	Veff Maxi
Dielectric withstanding voltage			<b>1000</b>	Veff mini
Insulation resistance			<b>5000</b>	MΩ mini

ENVIRONMENTAL

Operating	<b>-40/+105</b>	°C
Hermetic seal	<b>NA</b>	Atm.cm3/s
Panel leakage	<b>NA</b>	

MECHANICAL CHARACTERISTICS

<u>Center contact retention</u>				
Axial force – Mating End		<b>27</b>	N mini	
Axial force – Opposite end		<b>27</b>	N mini	
Torque		<b>NA</b>	N.cm mini	
<u>Recommended torque</u>				
Mating		<b>170</b>	N.cm	
		<b>0</b>	N.cm	
		<b>0</b>	N.cm	
Panel nut		<b>NA</b>	N.cm	
Mating life		<b>100</b>	Cycles mini	
Weight	<b>33.4200</b>		g	

SPECIFICATION

OTHER CHARACTERISTICS

**\*RF Leakage interf. only: 3<F<6GHz=>70dB  
< -120 dBc at 1.8 GHz (2 x 20 W)**