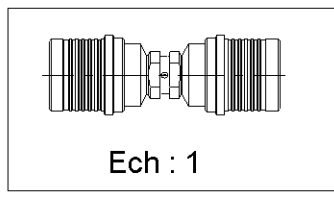
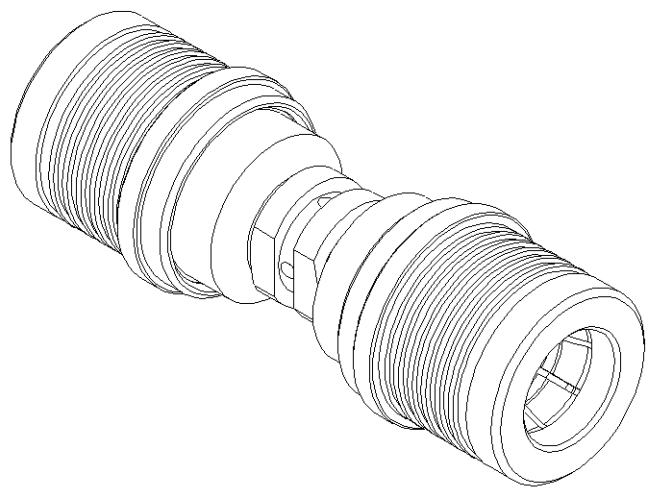
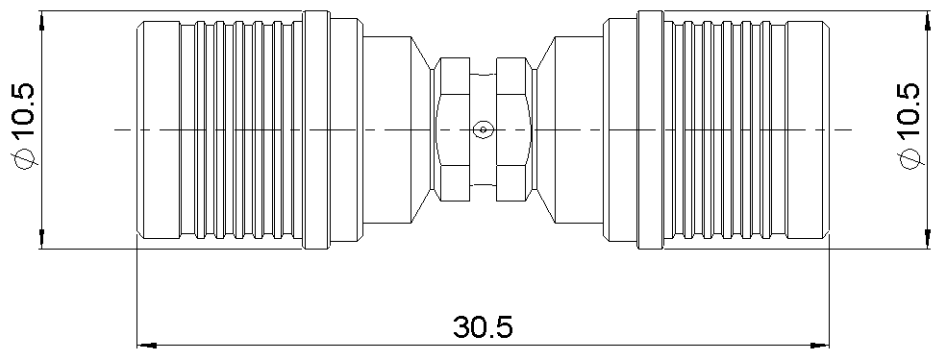
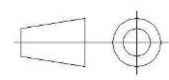


PAGE 1/2	ISSUE 18-06-15F	SERIES QMA	PART NUMBER R123703000
----------	-----------------	-------------------	-------------------------------



All dimensions are in mm.



COMPONENTS	MATERIALS	PLATING (μm)
Body	BRASS.	BBR
Center contact	BRASS.	GOLD OVER COPPER
Outer contact	BRONZE	BBR
Insulator	PTFE	
Gasket	-	
Others parts	-	
-	-	
-	-	

PAGE 2/2	ISSUE 18-06-15F	SERIES QMA	PART NUMBER R123703000
----------	-----------------	------------	------------------------

PACKAGING

Standard	Unit	Other
100	Contact us	Contact us

ELECTRICAL CHARACTERISTICS

Impedance		50	Ω
Frequency		0-6	GHz
VSWR	1.05	+	0.0050 x F(GHz) Maxi
Insertion loss		.05	√F(GHz) dB Maxi
RF leakage	- (*80	- F(GHz) dB Maxi
Voltage rating		500	Veff Maxi
Dielectric withstanding voltage		1000	Veff mini
Insulation resistance		5000	MΩ mini

ENVIRONMENTAL

Operating temperature	-40/+105	°C
Hermetic seal	NA	Atm.cm3/s
Panel leakage	NA	

MECHANICAL CHARACTERISTICS

Center contact retention			
Axial force – Mating End		27	N mini
Axial force – Opposite end		27	N mini
Torque		2.8	N.cm mini
Recommended torque			
Mating		NA	N.cm
Panel nut		NA	N.cm
Mating life		100	Cycles mini
Weight		8.9000	g

SPECIFICATION

OTHER CHARACTERISTICS

Assembly instruction:**NA**

Others:

***RF Leakage Inter. only:3<F<6GHz >70dB**

****PIM>-120 dBc at 1.8GHz (2x20W)**