

SMT STRAIGHT PLUG RECEPTACLE

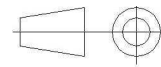
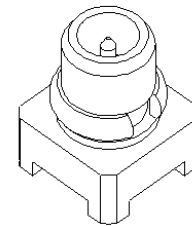
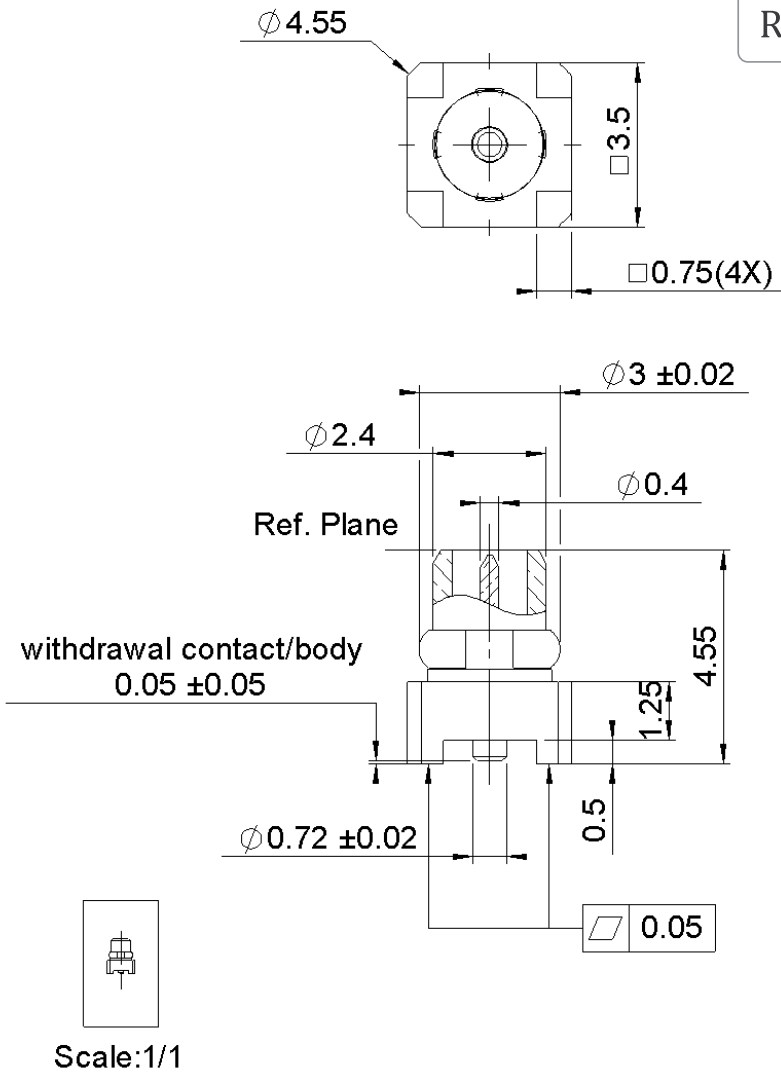
REEL OF 500

R110.434.860

Series : MMCX



Australian Representatives
ROJONE, PTY LTD.
 Tel: 02 9829 1555
 E: sales@rojone.com.au
 www.rojone.com.au



All dimensions are in mm.

COMPONENTS	MATERIALS	PLATING (μm)
BODY	BRASS	.GOLD 0.2 OVER NICKEL 2
CENTER CONTACT	BRASS	.GOLD 1.3 OVER NICKEL 2
OUTER CONTACT	-	-
INSULATOR	PTFE	-
GASKET	-	-
OTHERS PARTS	BERYLLIUM COPPER	GOLD 0.5 OVER NICKEL 2
-	-	-
-	-	-

Issue : 0751 B

In the effort to improve our products, we reserve the right to make changes judged to be necessary.



SMT STRAIGHT PLUG RECEPTACLE

R110.434.860

REEL OF 500

Series : MMCX

PACKAGING

SPECIFICATION

Standard	Unit	Other
500	'W' option	Contact us

ELECTRICAL CHARACTERISTICS

ENVIRONMENTAL

Impedance **50** Ω
 Frequency **0-6** GHz
 VSWR **1.15 + 0,0050** x F(GHz) Maxi
 Insertion loss **TBD** √F(GHz) dB Maxi
 RF leakage - (**NA** - F(GHz)) dB Maxi
 Voltage rating **170** Veff Maxi
 Dielectric withstanding voltage **250** Veff mini
 Insulation resistance **1000** MΩ mini

Operating temperature **-55/+155** ° C
 Hermetic seal **NA** Atm.cm3/s
 Panel leakage **NA**

OTHER CHARACTERISTICS

Assembly instruction

Others :

MECHANICAL CHARACTERISTICS

Center contact retention
 Axial force – Mating end **7** N mini
 Axial force – Opposite end **7** N mini
 Torque **NA** N.cm mini

Recommended torque
 Mating **NA** N.cm
 Panel nut **NA** N.cm

Mating life **500** Cycles mini
 Weight **0,1760** g

Issue : 0751 B

In the effort to improve our products, we reserve the right to make changes judged to be necessary.



SMT STRAIGHT PLUG RECEPTACLE

R110.434.860

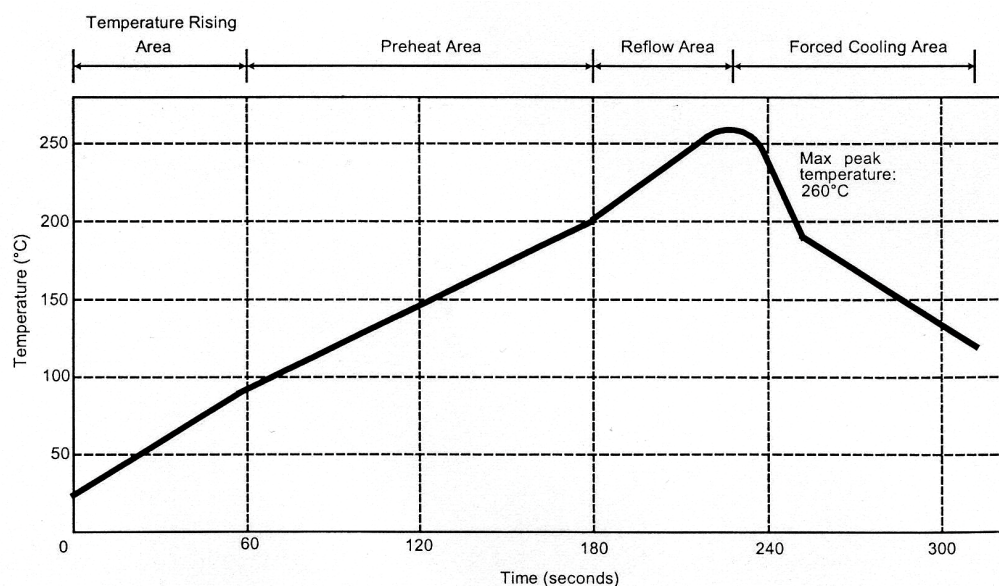
REEL OF 500

Series : MMCX

SOLDER PROCEDURE

1. Deposit solder paste 'Sn Ag4 Cu0.5' on mounting zone by screen printing application. We recommend a low residue flux. We advise a thickness of 150 microms mini. (.006 inch mini). Verify that the edges of the zone are clean.
2. Placement of the receptacle on the mounting zone with an automatic machine of 'pick and place' type. Aspiration port (see page 4) centered into body and push against it. A video camera is recommended for positioning of the component. Adhesive agents must not be used on the receptacle.
3. Soldering by infra-red reflow. Below please find the typical profile to use.
4. Cleaning of printed circuit boards.
5. Verification of solder joints and position of the component by visual inspection.

TEMPERATURE PROFILE



Parameter	Value	Unit
Temperature rising Area	1 - 4	°C/sec
Max Peak Temperature	260	°C
Max dwell time @260°C	10	sec
Min dwell time @235°C	20	sec
Max dwell time @235°C	60	sec
Temperature drop in cooling Area	-1 to -4	°C/sec
Max dwell time above 100°C	420	sec

Issue : 0751 B

In the effort to improve our products, we reserve the right to make changes judged to be necessary.



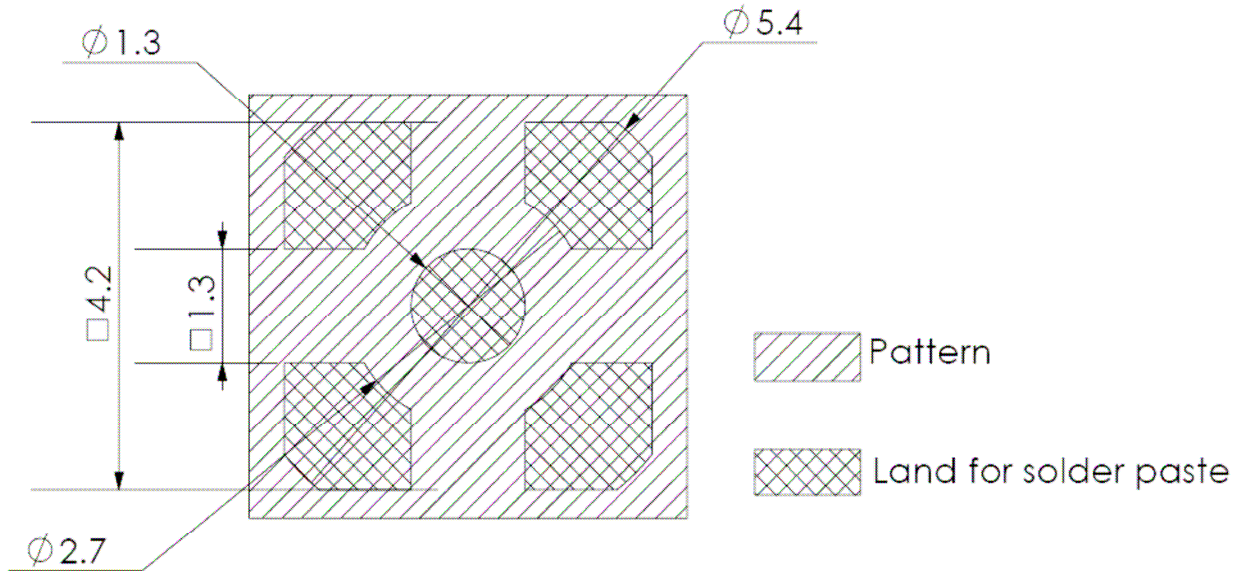
SMT STRAIGHT PLUG RECEPTACLE

R110.434.860

REEL OF 500

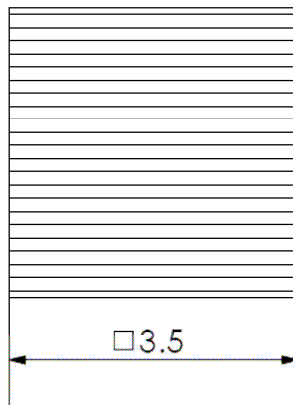
Series : MMCX

STANDARD PAD



COPLANAR LINE
 Pattern and signal are on the same side.
 Thickness of the PCB : 1.6 mm
 The material of the PCB is the epoxy resin of glass fabrics bacs (ER : 4.8)
 The solder resist should be printed except for the land pattern on the PCB.

SHADOW OF MMCX RECEPTACLE FOR VIDEO CAMERA



Issue : 0751 B

In the effort to improve our products, we reserve the right to make changes judged to be necessary.

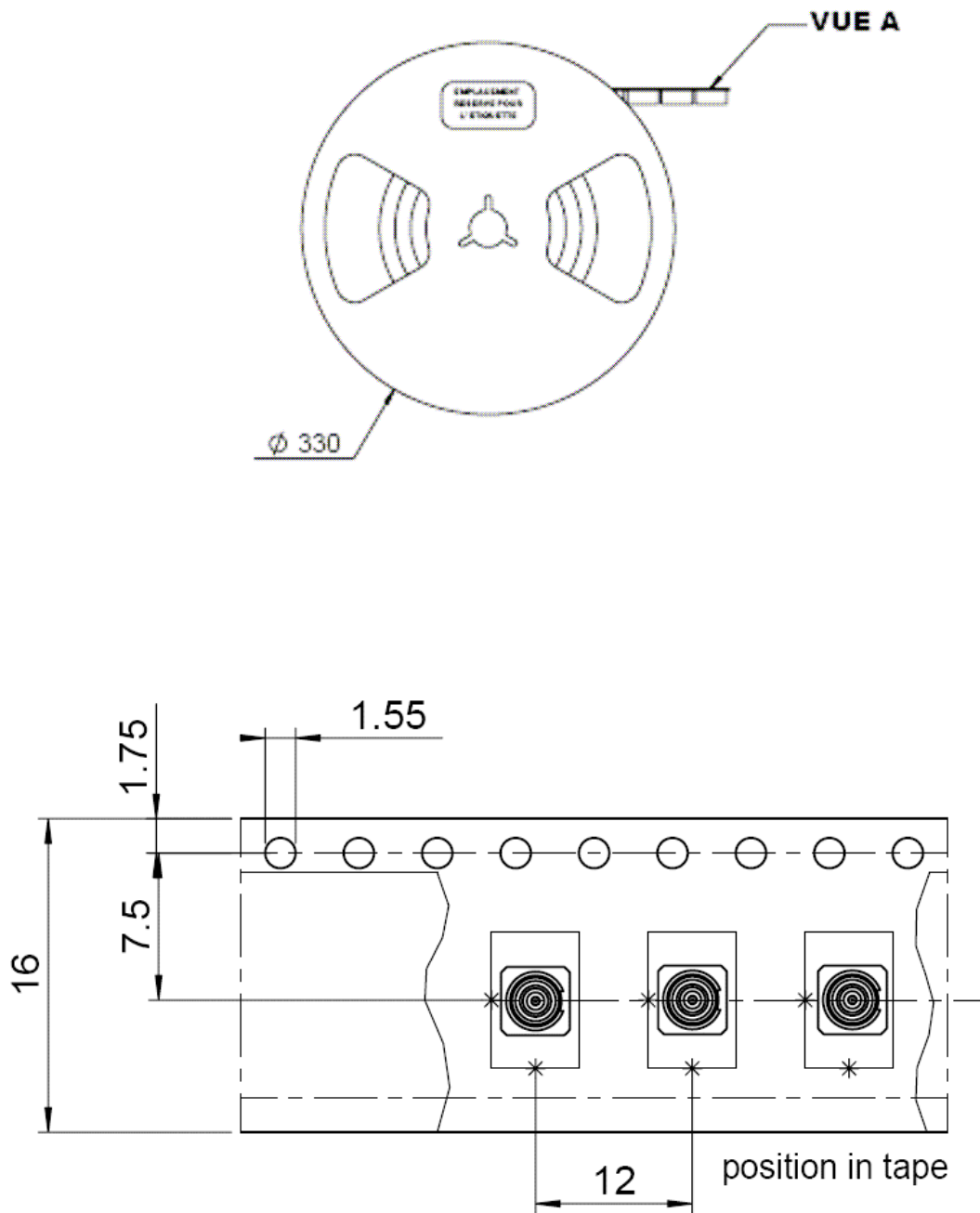


SMT STRAIGHT PLUG RECEPTACLE

R110.434.860

REEL OF 500

Series : MMCX



Issue : 0751 B

In the effort to improve our products, we reserve the right to make changes judged to be necessary.

