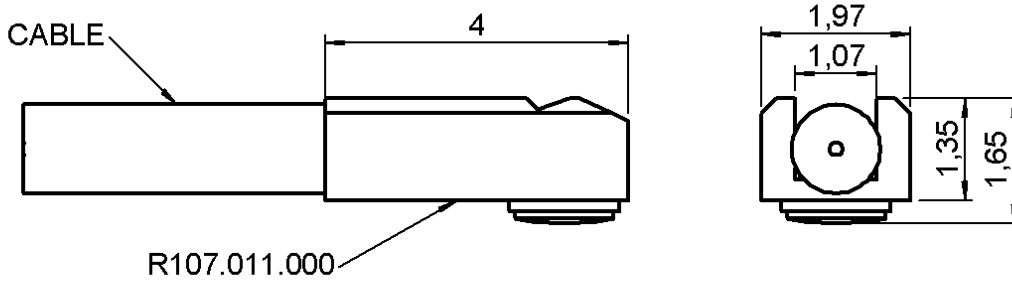


RIGHT ANGLE PLUG H2 SNAP

CABLE 1/50S

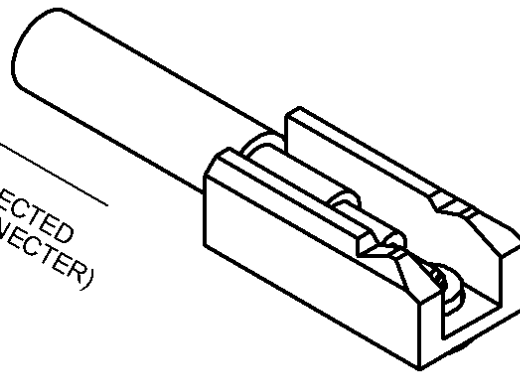
R107.011.000

Series : UMP



PULL ON THE CABLE FOR DISCONNECTED
(TIRER SUR LE CABLE POUR DECONNECTER)

SCALE 1/1



**THIS PLUG CAN BE DISCONNECTED WITHOUT TOOL
(CETTE FICHE EST DECONNECTABLE SANS OUTIL)**

All dimensions are in mm.



COMPONENTS	MATERIALS	PLATINGS (µm)
BODY	BRASS	GOLD 0.5 OVER NICKEL 2
CENTER CONTACT	BRASS	GOLD 0.5 OVER NICKEL 2
OUTER CONTACT	-	
INSULATOR	PTFE	
GASKET	-	
OTHERS PARTS	-	
-	-	
-	-	


Australian Representatives
ROJONE, PTY LTD.
 Tel: 02 9829 1555
 E: sales@rojone.com.au
 www.rojone.com.au

Issue : 0335 B

In the effort to improve our products, we reserve the right to make changes judged to be necessary.



PRELIMINARY

RIGHT ANGLE PLUG H2 SNAP

R107.011.000

CABLE 1/50S

Series : UMP

PACKAGING

Standard	Unit	Other
100	'W' option	Contact us

SPECIFICATION

ELECTRICAL CHARACTERISTICS

Impedance		50 Ω
Frequency		0-6 GHz
VSWR	1.05 +	0.030 x F(GHz) Maxi
Insertion loss		0.2 √F(GHz) dB Maxi
RF leakage	- (40* - F(GHz)) dB Maxi
Voltage rating		100 Veff Maxi
Dielectric withstanding voltage		350 Veff mini
Insulation resistance		1000 MΩ mini

CABLE ASSEMBLY

Stripping	a	b	c	d	e	f
mm	0.00	0.00	0.00	0.00	0.00	0.00

Assembly instruction : **NA**

Recommended cable(s)
50 VMTX

Characteristics indicated on this data sheet are those that can be achieved with the highest performance cable. Intrinsic limitations of the cable may diminish the performance of the assembly

Cable retention

- pull off **20** N mini
- torque **NA** N.cm

MECHANICAL CHARACTERISTICS

Center contact retention		
Axial force – Mating end	NA	N mini
Axial force – Opposite end	NA	N mini
Torque	NA	N.cm mini

TOOLING

Part Number	Description	Hexagon
.	.	.

Recommended torque		
Mating	NA	N.cm
Panel nut	NA	N.cm
Clamp nut	NA	N.cm
A/F clamp nut	0.000	mm

Mating life	3000	Cycles mini
Weight	0.052	g

OTHERS CHARACTERISTICS

Clearance for mating : 2 mm
Disconnected without tool
* At 2GHz

ENVIRONMENTAL

Operating temperature	-40/+90	° C
Hermetic seal	NA	Atm.cm3/s
Panel leakage	NA	

Issue : 0335 B

In the effort to improve our products, we reserve the right to make changes judged to be necessary.



PRELIMINARY