



WR-137 20 dB Directional Waveguide Broadwall
Coupler, UG-344/U Round Cover Flange, E-Plane
Coupled Port, 5.85 GHz to 8.2 GHz

TECHNICAL DATA SHEET

PEWCP1030

The PEWCP1030 is a WR-137 Directional Broadwall waveguide coupler that operates in the frequency range of 5.85 to 8.2 GHz. This Waveguide component has a typical VSWR of 1.05:1. These designs are made of painted copper alloy and incorporate a broad wall configuration that result in a mid-band nominal coupling value of 10, 20, or 30 dB. Common applications for this component would be where power measurements are required within a system for measuring/sampling power or frequency monitoring with minimal signal loss to the main transmission line. Pasternack offers a complete family of waveguide Crossguide and Broadwall couplers that are in-stock and ship same day.

Features

- Broadwall Waveguide Coupler
- 20 dB Nominal Coupling Level
- 5.85 GHz to 8.2 GHz Frequency Range
- Body and Flanges made of Copper Alloy
- Low VSWR

Applications

- Test Benches
- Radar
- Satellite
- Microwave Radio
- Attenuation Measurements
- Power Measurements
- Source Leveling

Electrical Specifications (Values at 25°C, sea level)

Description	Minimum	Typical	Maximum	Units
Frequency Range	5.85		8.2	GHz
Directivity		40		dB
Insertion Loss		0.15		dB
Main Line VSWR		1.05:1		
Nominal Coupling Level		20		dB

Mechanical Specifications

Size

- Length 26.5 in [673.1 mm]
- Height 4.62 in [117.35 mm]
- Weight 5.584 lbs [2.53 Kg]

Click the following link (or enter part number in "SEARCH" on website) to obtain additional part information including price, inventory and certifications: [WR-137 20 dB Directional Waveguide Broadwall Coupler, UG-344/U Round Cover Flange, E-Plane Coupled Port, 5.85 GHz to 8.2 GHz PEWCP1030](#)



WR-137 20 dB Directional Waveguide Broadwall
Coupler, UG-344/U Round Cover Flange, E-Plane
Coupled Port, 5.85 GHz to 8.2 GHz

TECHNICAL DATA SHEET

PEWCP1030

Configuration

Design Directional E-Plane Broadwall
Size WR-137

Description	Input Flange	Output Flange	Coupled Flange(s)
Flange Type	Round Cover	Round Cover	Round Cover
Flange Designation	UG-344/U	UG-344/U	UG-344/U
Material	Copper Alloy	Copper Alloy	Copper Alloy
Plating	Silver	Silver	Silver

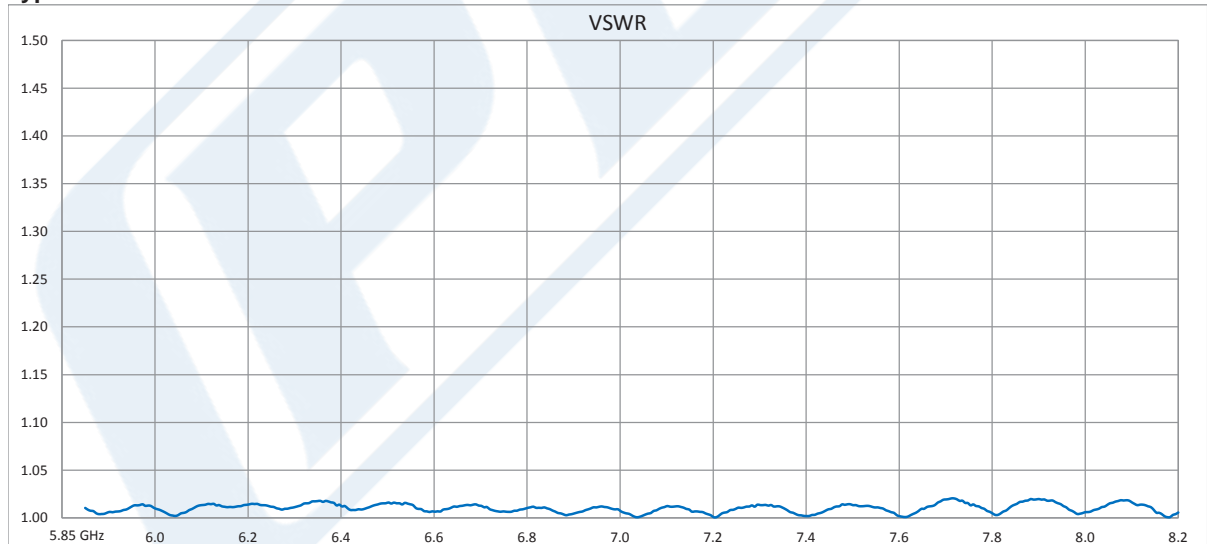
Compliance Certifications (see [product page](#) for current document)

Plotted and Other Data

Notes:

- Values at 25 °C, sea level

Typical Performance Data

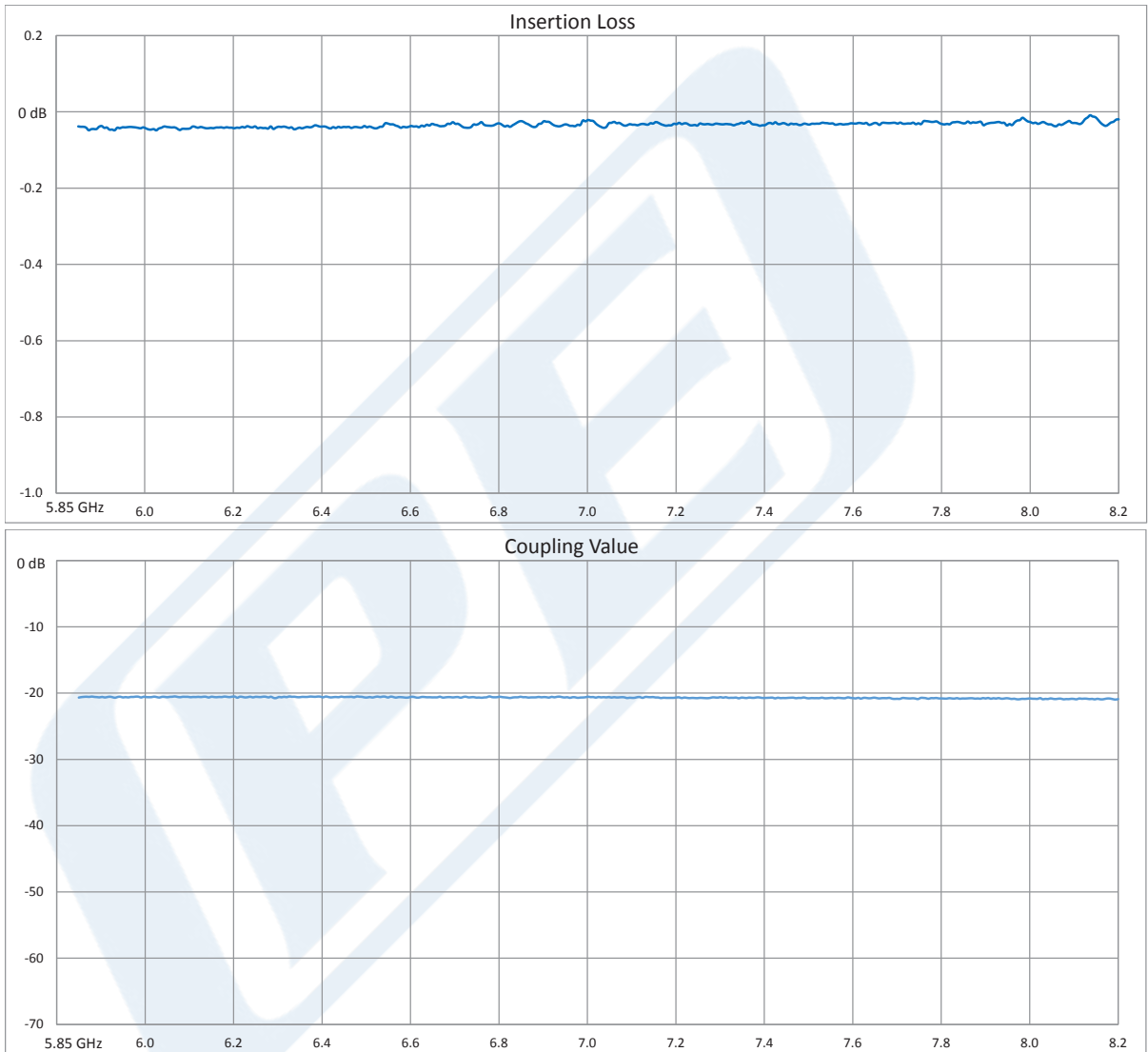


Click the following link (or enter part number in "SEARCH" on website) to obtain additional part information including price, inventory and certifications: [WR-137 20 dB Directional Waveguide Broadwall Coupler, UG-344/U Round Cover Flange, E-Plane Coupled Port, 5.85 GHz to 8.2 GHz PEWCP1030](#)



WR-137 20 dB Directional Waveguide Broadwall
Coupler, UG-344/U Round Cover Flange, E-Plane
Coupled Port, 5.85 GHz to 8.2 GHz

TECHNICAL DATA SHEET PEWCP1030



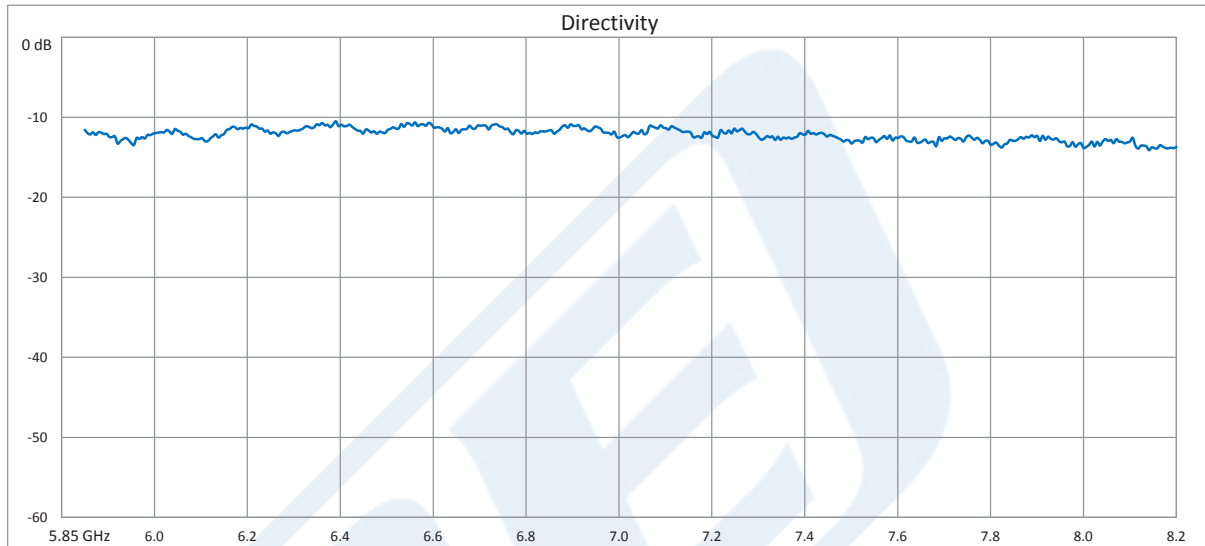
Click the following link (or enter part number in "SEARCH" on website) to obtain additional part information including price, inventory and certifications: [WR-137 20 dB Directional Waveguide Broadwall Coupler, UG-344/U Round Cover Flange, E-Plane Coupled Port, 5.85 GHz to 8.2 GHz PEWCP1030](#)



WR-137 20 dB Directional Waveguide Broadwall
Coupler, UG-344/U Round Cover Flange, E-Plane
Coupled Port, 5.85 GHz to 8.2 GHz

TECHNICAL DATA SHEET

PEWCP1030



WR-137 20 dB Directional Waveguide Broadwall Coupler, UG-344/U Round Cover Flange, E-Plane Coupled Port, 5.85 GHz to 8.2 GHz from Pasternack Enterprises has same day shipment for domestic and International orders. Our RF, microwave and millimeter wave products maintain a 99% availability and are part of the broadest selection in the industry.

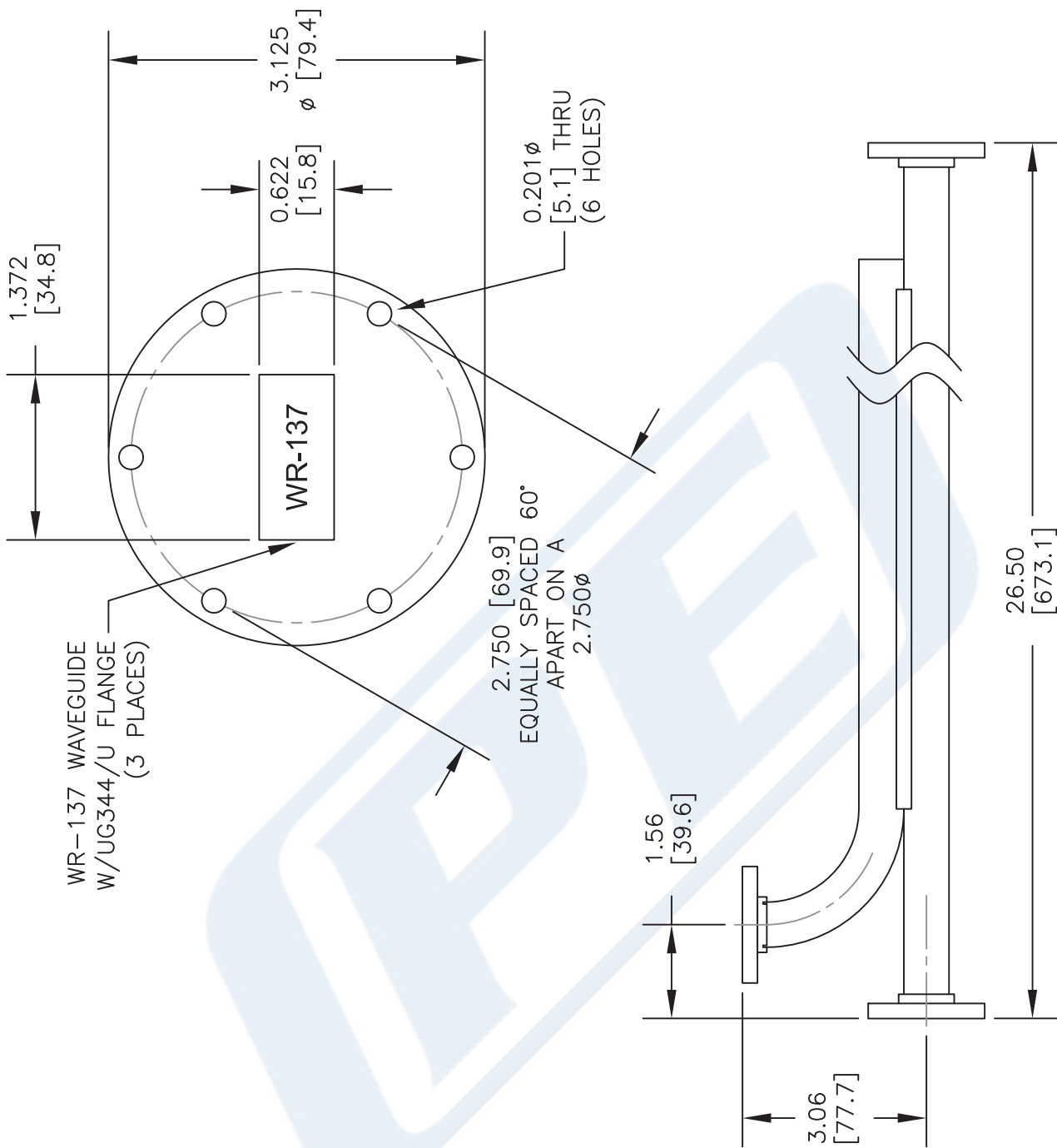
Click the following link (or enter part number in "SEARCH" on website) to obtain additional part information including price, inventory and certifications: [WR-137 20 dB Directional Waveguide Broadwall Coupler, UG-344/U Round Cover Flange, E-Plane Coupled Port, 5.85 GHz to 8.2 GHz PEWCP1030](https://www.pasternack.com/wr-137-20-db-directional-waveguide-broadwall-coupler-ug344-round-e-pewcp1030-p.aspx)

URL: <https://www.pasternack.com/wr-137-20-db-directional-waveguide-broadwall-coupler-ug344-round-e-pewcp1030-p.aspx>

The information contained in this document is accurate to the best of our knowledge and representative of the part described herein. It may be necessary to make modifications to the part and/or the documentation of the part, in order to implement improvements. Pasternack reserves the right to make such changes as required. Unless otherwise stated, all specifications are nominal. Pasternack does not make any representation or warranty regarding the suitability of the part described herein for any particular purpose, and Pasternack does not assume any liability arising out of the use of any part or documentation.

PEWC1030 CAD Drawing

WR-137 20 dB Directional Waveguide Broadwall Coupler, UG-344/U
Round Cover Flange, E-Plane Coupled Port, 5.85 GHz to 8.2 GHz



WR-137 WAVEGUIDE
W/UG344/U FLANGE
(3 PLACES)

WR-137

2.750 [69.9]
EQUALLY SPACED 60°
APART ON A
2.750φ

0.201φ
[5.1] THRU
(6 HOLES)

3.125
φ [79.4]

0.622
[15.8]

1.372
[34.8]

1.56
[39.6]

3.06
[77.7]

26.50
[673.1]

UNLESS OTHERWISE SPECIFIED
DIMENSIONS ARE IN INCHES.
DECIMALS
.X ±.030
.XX ±.015
.XXX ±.005
ANGLES
±1/2 DEG.
FRACTIONS
±1/32

* THESE DIMENSIONS AND TOLERANCES
SUPERSEDE NOTE #1 ON TITLE BLOCK.

DWG TITLE

PEWC1030

NOTES:
1. UNLESS OTHERWISE SPECIFIED ALL DIMENSIONS ARE NOMINAL.
2. ALL SPECIFICATIONS ARE SUBJECT TO CHANGE WITHOUT NOTICE AT ANY TIME.
3. DIMENSIONS ARE IN INCHES [mm].

PE PASTERNAK®
THE ENGINEER'S RF SOURCE
Pasternack Enterprises, Inc.
P.O. Box 16759 | Irvine | CA | 92623
Phone: (949) 261-1920 | Fax: (949) 261-7451
Website: www.pasternack.com | E-Mail: sales@pasternack.com

FSCM NO. 53919

CAD FILE 041316

SCALE N/A

SIZE A

2233