



WR-42 Waveguide Bulkhead Adapter UG-595/U Square Cover Flange, 18 GHz to 26.5 GHz

Waveguide Bulkhead Adapters Technical Data

PEWAD5006

Features

- Bulkhead adapter for WR-42
- Mounted to the panel with screws
- Gold Plated Finish
- Precision manufactured
- Flanges grooved to receive gaskets

Applications

- Test Instrumentation
- Military and Space
- Communications Systems
- Sub-Assemblies
- R&D labs

Description

The Pasternack series of rectangular waveguide bulkhead flange mount adapters are offered to cover frequency range of 18 to 110 GHz in seven waveguide bands. The transitions are used for waveguide interface in panel mount equipment. A hole is made in the panel and the adapter is mounted to the panel with screws. Once mounted, waveguides with UG-595/U flanges can be attached to the adapter on both sides of the bulkhead adapter to allow a signal path through the panel. The PEWAD5006 is a bulkhead adapter for WR-42 waveguides with UG-595/U flanges.

Electrical Specifications

Description	Minimum	Typical	Maximum	Units
Frequency Range	18		26.5	GHz

Mechanical Specifications

Weight 0.176 lbs [79.83 g]

Description	Flange 1	Waveguide	Flange 2
Type	Square Cover	WR-42	Square Cover
Designation	UG-595/U		UG-595/U
Material	Brass	Brass	Brass
Plating	Gold	Gold	Gold
Plating Specification	ASTMB488	ASTMB488	ASTMB488

Compliance Certifications (visit www.Pasternack.com for current document)

RoHS Compliant
REACH Compliant 12/17/2015

Plotted and Other Data

Notes:

Click the following link (or enter part number in "SEARCH" on website) to obtain additional part information including price, inventory and certifications: [WR-42 Waveguide Bulkhead Adapter UG-595/U Square Cover Flange, 18 GHz to 26.5 GHz PEWAD5006](#)



WR-42 Waveguide Bulkhead Adapter UG-595/U Square Cover Flange, 18 GHz to 26.5 GHz

Waveguide Bulkhead Adapters Technical Data

PEWAD5006

WR-42 Waveguide Bulkhead Adapter UG-595/U Square Cover Flange, 18 GHz to 26.5 GHz from Pasternack Enterprises has same day shipment for domestic and International orders. Our RF, microwave and millimeter wave products maintain a 99% availability and are part of the broadest selection in the industry.

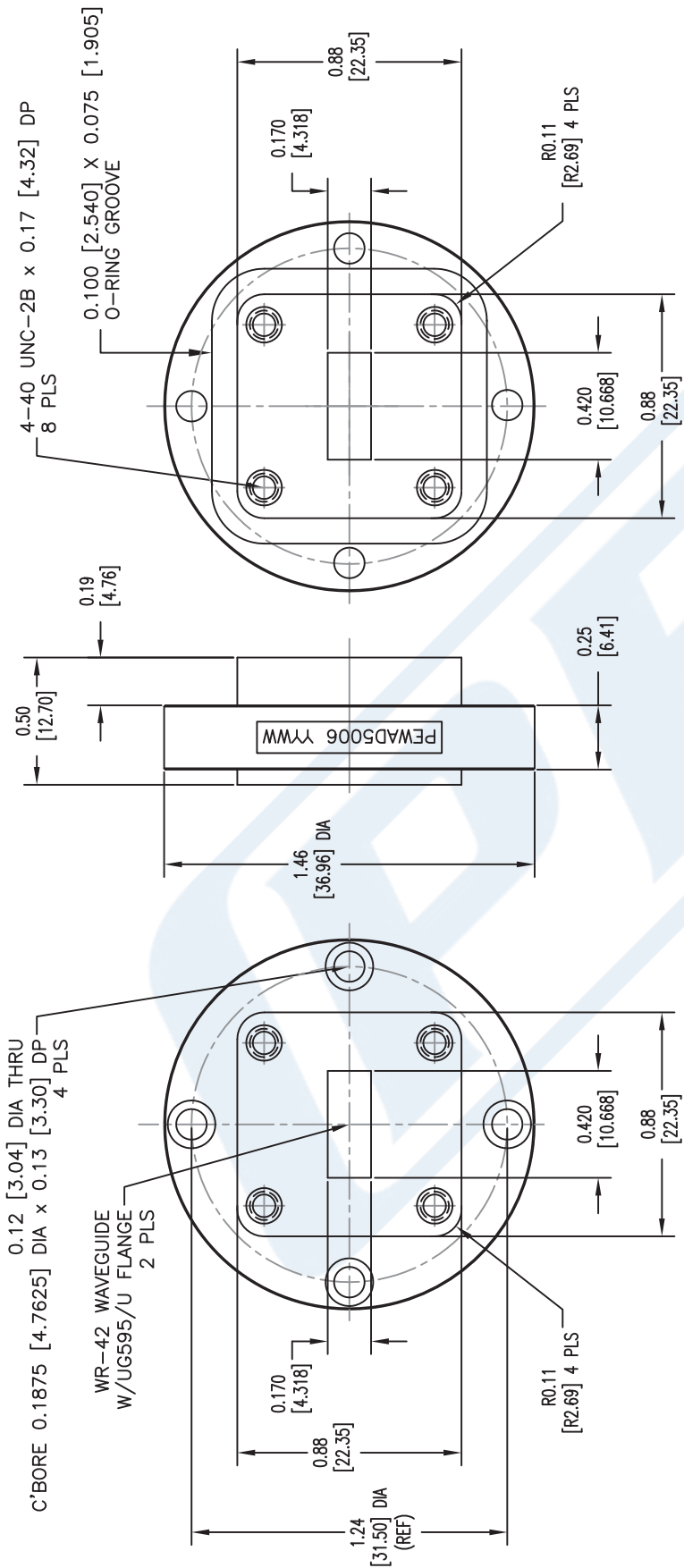
Click the following link (or enter part number in "SEARCH" on website) to obtain additional part information including price, inventory and certifications: [WR-42 Waveguide Bulkhead Adapter UG-595/U Square Cover Flange, 18 GHz to 26.5 GHz PEWAD5006](https://www.pasternack.com/wr-42-waveguide-bulkhead-adapter-ug595-square-26.5-ghz-pewad5006-p.aspx)

URL: <https://www.pasternack.com/wr-42-waveguide-bulkhead-adapter-ug595-square-26.5-ghz-pewad5006-p.aspx>

The information contained in this document is accurate to the best of our knowledge and representative of the part described herein. It may be necessary to make modifications to the part and/or the documentation of the part, in order to implement improvements. Pasternack reserves the right to make such changes as required. Unless otherwise stated, all specifications are nominal. Pasternack does not make any representation or warranty regarding the suitability of the part described herein for any particular purpose, and Pasternack does not assume any liability arising out of the use of any part or documentation.

PEWAD5006 CAD Drawing

WR-42 Waveguide Bulkhead Adapter UG-595/U Square
Cover Flange, 18 GHz to 26.5 GHz



NOTE:
O-RING INSIDE DIAMETER: 0.875" [22.225]
O-RING WIDTH: 3/32" [2.38]

UNLESS OTHERWISE SPECIFIED:
DIMENSIONS ARE IN: inches [mm]
TOLERANCES ARE:
DECIMALS ANGLES FRACTIONS
.XX ±0.01 ±1/2° ± 1/64
.XXX ±.005 [± 127/320]
[±.127]

* THESE DIMENSIONS AND TOLERANCES SUPERSEDE NOTE #1 ON TITLE BLOCK.

DWG TITLE
PEWAD5006

NOTES:
1. UNLESS OTHERWISE SPECIFIED ALL DIMENSIONS ARE NOMINAL.
2. ALL SPECIFICATIONS ARE SUBJECT TO CHANGE WITHOUT NOTICE AT ANY TIME.
3. DIMENSIONS ARE IN INCHES [mm].

PE PASTERNAK
THE ENGINEER'S RF SOURCE
Pasternack Enterprises, Inc.
P.O. Box 16759 | Irvine | CA | 92623
Phone: (949) 261-1920 | Fax: (949) 261-7451
Website: www.pasternack.com | E-Mail: sales@pasternack.com

FSCM NO. 53919

CAD FILE 042616

SCALE N/A

SIZE A

2233