



WR-229 Waveguide Standard Gain Horn Antenna  
Operating From 3.3 GHz to 4.9 GHz With a  
Nominal 0 dB Gain With CMR-229 Flange

Gain Horns Technical Data Sheet

PE9862-15

**Configuration**

Design WR-229 Standard Gain Horn  
Pattern Directional  
Polarization Linear

**Electrical Specifications**

| Description                      | Minimum | Typical | Maximum | Units   |
|----------------------------------|---------|---------|---------|---------|
| Frequency Range                  | 3.3     |         | 4.9     | GHz     |
| Gain                             | 15      |         |         | dB      |
| Horizontal Half Power Beam Width |         | 32.4    |         | Degrees |
| Vertical Half Power Beam Width   |         | 32.7    |         | Degrees |

**Mechanical Specifications**

**Size**

Length 10.4 in [264.16 mm]  
Width 6 in [152.4 mm]  
Height 4.4 in [111.76 mm]  
Weight 1.383 lbs [627.32 g]

**Waveguide Interface**

Waveguide Size WR-229  
Flange Type CMR-229

**Environmental Specifications**

**Compliance Certifications** (see [product page](#) for current document)

**Plotted and Other Data**

2 Dimensional OML Drawing PE9862-15  
Notes:

Click the following link (or enter part number in "SEARCH" on website) to obtain additional part information including price, inventory and certifications: [WR-229 Waveguide Standard Gain Horn Antenna Operating From 3.3 GHz to 4.9 GHz With a Nominal 0 dB Gain With CMR-229 Flange PE9862-15](#)



WR-229 Waveguide Standard Gain Horn Antenna  
Operating From 3.3 GHz to 4.9 GHz With a  
Nominal 0 dB Gain With CMR-229 Flange

Gain Horns Technical Data Sheet

PE9862-15

WR-229 Waveguide Standard Gain Horn Antenna Operating From 3.3 GHz to 4.9 GHz With a Nominal 0 dB Gain With CMR-229 Flange from Pasternack Enterprises has same day shipment for domestic and International orders. Our RF, microwave and millimeter wave products maintain a 99.4% availability and are part of the broadest selection in the industry.

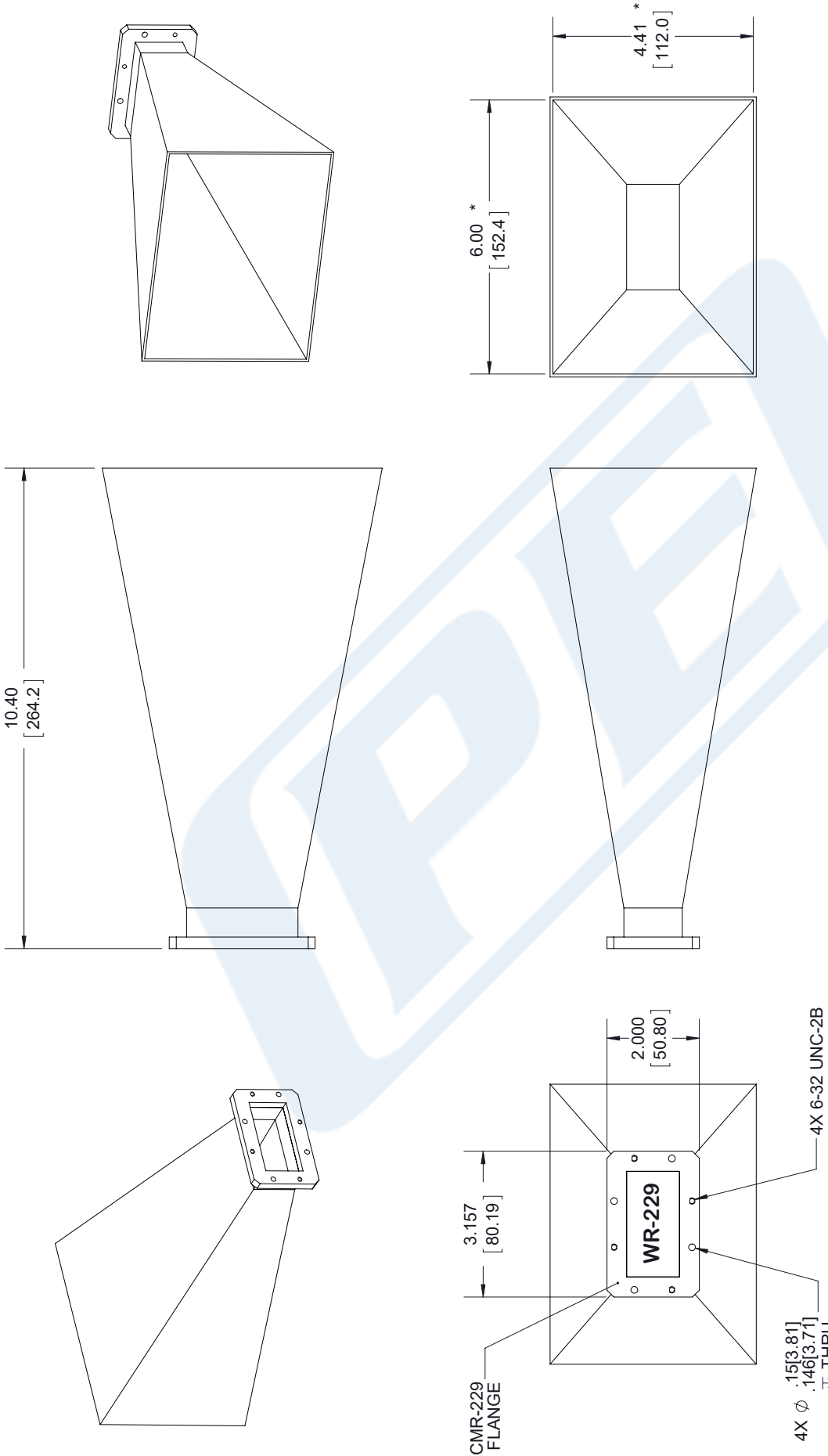
Click the following link (or enter part number in "SEARCH" on website) to obtain additional part information including price, inventory and certifications: [WR-229 Waveguide Standard Gain Horn Antenna Operating From 3.3 GHz to 4.9 GHz With a Nominal 0 dB Gain With CMR-229 Flange PE9862-15](#)

URL: <https://www.pasternack.com/standard-gain-horn-waveguide-size-wr229-pe9862-15-p.aspx>

The information contained in this document is accurate to the best of our knowledge and representative of the part described herein. It may be necessary to make modifications to the part and/or the documentation of the part, in order to implement improvements. Pasternack reserves the right to make such changes as required. Unless otherwise stated, all specifications are nominal. Pasternack does not make any representation or warranty regarding the suitability of the part described herein for any particular purpose, and Pasternack does not assume any liability arising out of the use of any part or documentation.

# PE9862-15 CAD Drawing

WR-229 Waveguide Standard Gain Horn Antenna Operating From 3.3 GHz to 4.9 GHz With a Nominal 0 dB Gain With CMR-229 Flange



\* INSIDE DIMENSION

NOTES:  
 1. UNLESS OTHERWISE SPECIFIED ALL DIMENSIONS ARE NOMINAL.  
 2. ALL SPECIFICATIONS ARE SUBJECT TO CHANGE WITHOUT NOTICE AT ANY TIME  
 3. DIMENSIONS ARE IN INCHES [mm].

DWG TITLE  
**PE9862-15**

**PE PASTERNAK®**  
 THE ENGINEER'S RF SOURCE  
 Pasternack Enterprises, Inc.  
 P.O. Box 16759 | Irvine | CA | 92623  
 Phone: (949) 261-1920 | Fax: (949) 261-7451  
 Website: www.pasternack.com | E-Mail: sales@pasternack.com

CAD FILE 100917 SCALE N/A SIZE A 7361

CAGE CODE **53919**

| STANDARD TOLERANCES |        |
|---------------------|--------|
| .X                  | ±0.2   |
| .XX                 | ±0.01  |
| .XXX                | ±0.005 |

\*STANDARD TOLERANCES APPLY ONLY TO DIMENSIONS IN INCHES