



WR-159 Standard Gain Horn Antenna Operates From 4.9 GHz to 7.05 GHz With a Nominal 10 dB Gain WR-159 Input

TECHNICAL DATA SHEET

PE9860-10

**WR-159 Standard Gain Horn Antenna Operates From 4.9 GHz to 7.05 GHz With a Nominal 10 dB Gain WR-159 Input**

**Configuration**

Design	WR-159 Standard Gain Horn
Frequency Range, GHz	4.9 to 7.05
Polarization	Linear
Interface 1	WR-159

**Electrical Specifications**

Nominal Gain, dB	10
------------------	----

**Mechanical Specifications**

**Size**

Length, in [mm]	4.405 [111.89]
Width, in [mm]	2.805 [71.25]
Height, in [mm]	1.75 [44.45]

**Compliance Certifications** (visit [www.Pasternack.com](http://www.Pasternack.com) for current document)

**Plotted and Other Data**

2 Dimensional OML Drawing	PE9860-10
Notes:	Values at 25 °C, sea level

WR-159 Standard Gain Horn Antenna Operates From 4.9 GHz to 7.05 GHz With a Nominal 10 dB Gain WR-159 Input from Pasternack Enterprises has same day shipment for domestic and International orders. Our RF, microwave and fiber optic products maintain a 99% availability and are part of the broadest selection in the industry.

Click the following link (or enter part number in "SEARCH" on website) to obtain additional part information including price, inventory and certifications: [WR-159 Standard Gain Horn Antenna Operates From 4.9 GHz to 7.05 GHz With a Nominal 10 dB Gain WR-159 Input PE9860-10](http://www.pasternack.com/standard-gain-horn-waveguide-size-wr159-pe9860-10-p.aspx)

URL: <http://www.pasternack.com/standard-gain-horn-waveguide-size-wr159-pe9860-10-p.aspx>

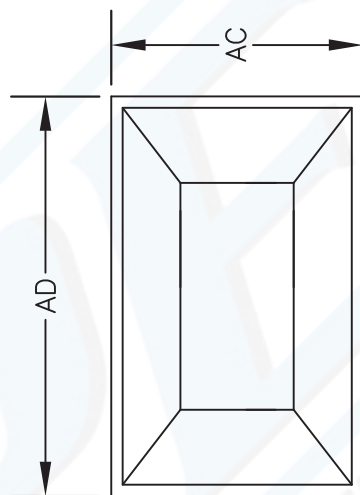
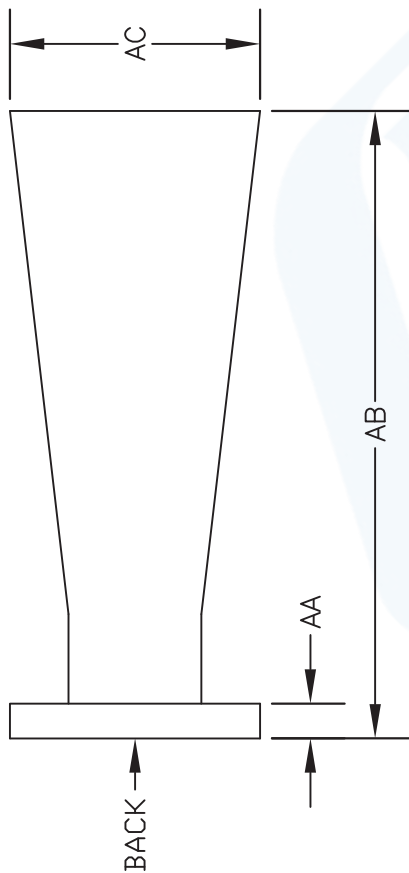
The information contained in this document is accurate to the best of our knowledge and representative of the part described herein. It may be necessary to make modifications to the part and/or the documentation of the part, in order to implement improvements. Pasternack reserves the right to make such changes as required. Unless otherwise stated, all specifications are nominal.

# PE9860-10 CAD Drawing

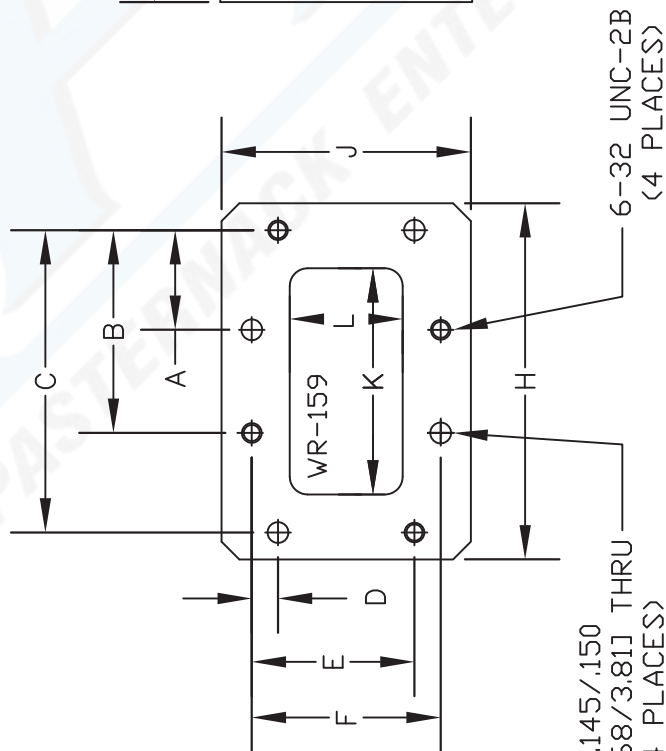
WR-159 Standard Gain Horn Antenna Operates From 4.9 GHz to 7.05 GHz With a Nominal 10 dB Gain WR-159 Input

WR159 Dimension	Inches	mm
A	0.699	17.75
B	1.423	36.14
C	2.122	53.90
D	0.184	4.67
E	1.142	29.01
F	1.326	33.68
H	2.500	63.50
J	1.750	44.45
K ( $\pm 0.004$ )	1.590	40.39
L ( $\pm 0.004$ )	0.795	20.19

AA	0.250	6.35
AB	4.405	111.89
AC	1.703	43.26
AD	2.805	71.25



FRONT VIEW



BACK VIEW

DWG TITLE

**PE9860-10**

NOTES:  
 1. UNLESS OTHERWISE SPECIFIED ALL DIMENSIONS ARE NOMINAL.  
 2. ALL SPECIFICATIONS ARE SUBJECT TO CHANGE WITHOUT NOTICE AT ANY TIME.  
 3. DIMENSIONS ARE IN INCHES [mm].

**PASTERNAK ENTERPRISES, INC.**

PO BOX 16759, IRVINE, CA 92623  
 PHONE (949) 261-1920 FAX (949) 261-7451

WEB ADDRESS: [www.pasternack.com](http://www.pasternack.com)  
 E-MAIL ADDRESS: [sales@pasternack.com](mailto:sales@pasternack.com)

**COAXIAL & FIBER OPTICS**



**PASTERNAK ENTERPRISES**  
 ESTABLISHED 1972

FSCM NO. 53919

CAD FILE 042209

SCALE N/A

SIZE A

127