



WR-34 Standard Gain Horn Antenna Operates From 22 GHz to 33 GHz With a Nominal 10 dB Gain WR-34 Input

TECHNICAL DATA SHEET PE9851-10

WR-34 Standard Gain Horn Antenna Operates From 22 GHz to 33 GHz With a Nominal 10 dB Gain WR-34 Input

Configuration

Design	WR-34 Standard Gain Horn
Frequency Range, GHz	22 to 33
Polarization	Linear
Interface 1	WR-34

Electrical Specifications

Nominal Gain, dB	10
------------------	----

Mechanical Specifications

Size

Length, in [mm]	1.06 [26.92]
Width, in [mm]	0.875 [22.23]
Height, in [mm]	0.875 [22.23]
Weight, lbs [g]	0.2 [90.72]

Compliance Certifications (visit www.Pasternack.com for current document)

Plotted and Other Data

2 Dimensional OML Drawing	PE9851-10
Notes:	Values at 25 °C, sea level

WR-34 Standard Gain Horn Antenna Operates From 22 GHz to 33 GHz With a Nominal 10 dB Gain WR-34 Input from Pasternack Enterprises has same day shipment for domestic and International orders. Our RF, microwave and fiber optic products maintain a 99% availability and are part of the broadest selection in the industry.

Click the following link (or enter part number in "SEARCH" on website) to obtain additional part information including price, inventory and certifications: [WR-34 Standard Gain Horn Antenna Operates From 22 GHz to 33 GHz With a Nominal 10 dB Gain WR-34 Input PE9851-10](http://www.pasternack.com/standard-gain-horn-waveguide-size-wr34-pe9851-10-p.aspx)

URL: <http://www.pasternack.com/standard-gain-horn-waveguide-size-wr34-pe9851-10-p.aspx>

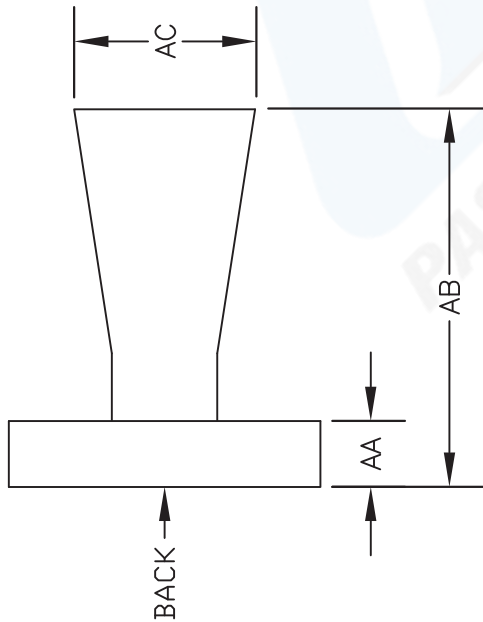
The information contained in this document is accurate to the best of our knowledge and representative of the part described herein. It may be necessary to make modifications to the part and/or the documentation of the part, in order to implement improvements. Pasternack reserves the right to make such changes as required. Unless otherwise stated, all specifications are nominal.

PE9851-10 CAD Drawing

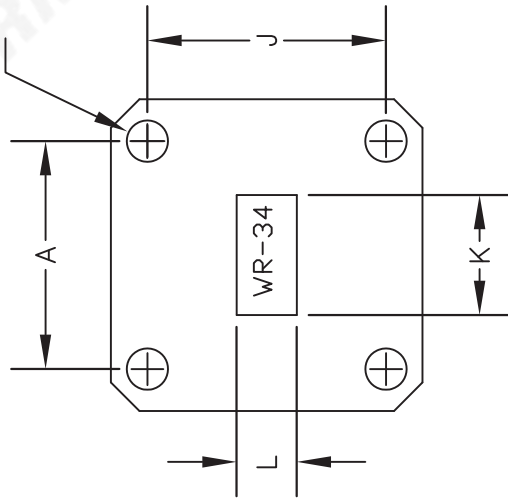
WR-34 Standard Gain Horn Antenna Operates From 22 GHz to 33 GHz With a Nominal 10 dB Gain WR-34 Input

WR34		
Dimension	Inches	mm
A	0.640	16.26
H	0.875	22.23
J	0.670	17.02
K (± 0.005)	0.340	8.64
L (± 0.005)	0.170	4.32

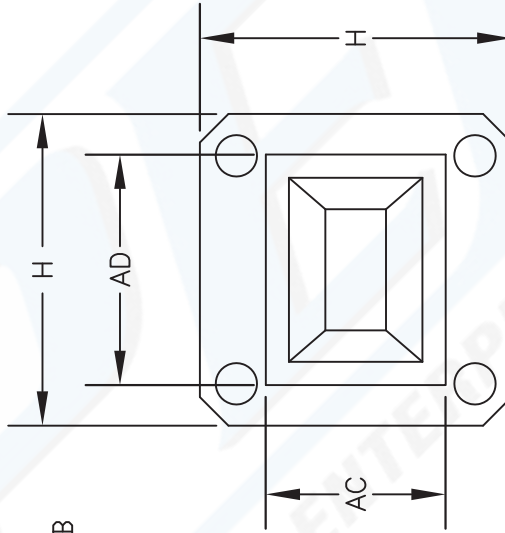
AA	0.185	4.70
AB	1.060	26.92
AC	0.500	12.70
AD	0.650	16.51



#4-40 UNC-2B
X.150" DEEP
(4 PLACES)



BACK VIEW



FRONT VIEW

NOTES:
1. UNLESS OTHERWISE SPECIFIED ALL DIMENSIONS ARE NOMINAL.
2. ALL SPECIFICATIONS ARE SUBJECT TO CHANGE WITHOUT NOTICE AT ANY TIME.
3. DIMENSIONS ARE IN INCHES [mm].

DWG TITLE

PE9851-10

PASTERNAK ENTERPRISES, INC.
PO BOX 16759, IRVINE, CA 92623
PHONE (949) 261-1920 FAX (949) 261-7451

WEB ADDRESS: www.pasternack.com
E-MAIL ADDRESS: sales@pasternack.com

COAXIAL & FIBER OPTICS
ESTABLISHED 1972



PASTERNAK ENTERPRISES®
ESTABLISHED 1972

REV. - FSCM NO. 53919

CAD FILE 041805

SCALE N/A

SIZE A

127