



N Female to TNC Female Adapter

RF Adapters Technical Data Sheet

PE9131

Configuration

- N Female Connector 1
- TNC Female Connector 2
- 50 Ohm
- Straight Body Geometry

Features

- Max VSWR of 1.5:1 up to 3 GHz
- Type N interface compliant with MIL-STD-348A
- TNC interface compliant with MIL-STD-348A
- 30 µin minimum contact plating
- Gold Plated Contact

Applications

- Allows Connection Between Series
- General Purpose Test

Description

Pasternack's PE9131 type N female to TNC female adapter is part of our full line of RF components available for same-day shipping. Our type N to TNC adapter has a female to female gender configuration. PE9131 type N female to TNC female adapter operates to 3 GHz. The Pasternack RF adapter provides good VSWR of 1.5:1 maximum.

RF adapters are often used to enable connections between two connector types that would otherwise not mate. Certain adapter configurations can also be used to protect connectors on expensive equipment where the number of connect/disconnect cycles is high. An RF, microwave or millimeter wave adapter is connected to the equipment, and the commonly changed connection is made with the adapter which can be easily replaced when it wears out after high usage; such adapters are referred to as connector savers. Pasternack also offers bulkhead, panel mount, hermetically sealed, reverse polarity, and isolated ground adapter varieties to serve all of your RF, microwave and millimeter wave needs.

Electrical Specifications

Description	Minimum	Typical	Maximum	Units
Frequency Range	DC		3	GHz
VSWR		1.36:1	1.5:1	
Operating Voltage (AC)			500	Vrms
Dielectric Withstanding Voltage (AC)			1,500	Vrms
Inner Conductor DC Resistance			1.5	mOhms
Outer Conductor DC Resistance			1	mOhms
Insulation Resistance	5,000			MOhms

Mechanical Specifications

Size	
Length	1.102 in [27.99 mm]
Width	0.625 in [15.88 mm]
Weight	0.049 lbs [22.23 g]

Click the following link (or enter part number in "SEARCH" on website) to obtain additional part information including price, inventory and certifications: [N Female to TNC Female Adapter PE9131](#)



N Female to TNC Female Adapter

RF Adapters Technical Data Sheet

PE9131

Description	Connector 1	Connector 2
Type	N Female	TNC Female
Polarity	Standard	Standard
Interface Specification	MIL-STD-348A	MIL-STD-348A
Mating Cycles	500	500

Material Specifications

Description	Connector 1		Connector 2	
	Material	Plating	Material	Plating
Type	N Female		TNC Female	
Contact	Brass	Gold 30 µin minimum	Brass	Gold 30 µin minimum
Insulation	PTFE		PTFE	
Outer Conductor	Brass	Nickel 100 µin minimum	Brass	Nickel 100 µin minimum

Environmental Specifications

Temperature

Operating Range -65 to +165 deg C

Vibration
Salt Spray

MIL-STD-202, Method 204, Condition D
MIL-STD-202, Method 101, Condition B

Compliance Certifications (see [product page](#) for current document)

Plotted and Other Data

Notes:

Click the following link (or enter part number in "SEARCH" on website) to obtain additional part information including price, inventory and certifications: [N Female to TNC Female Adapter PE9131](#)



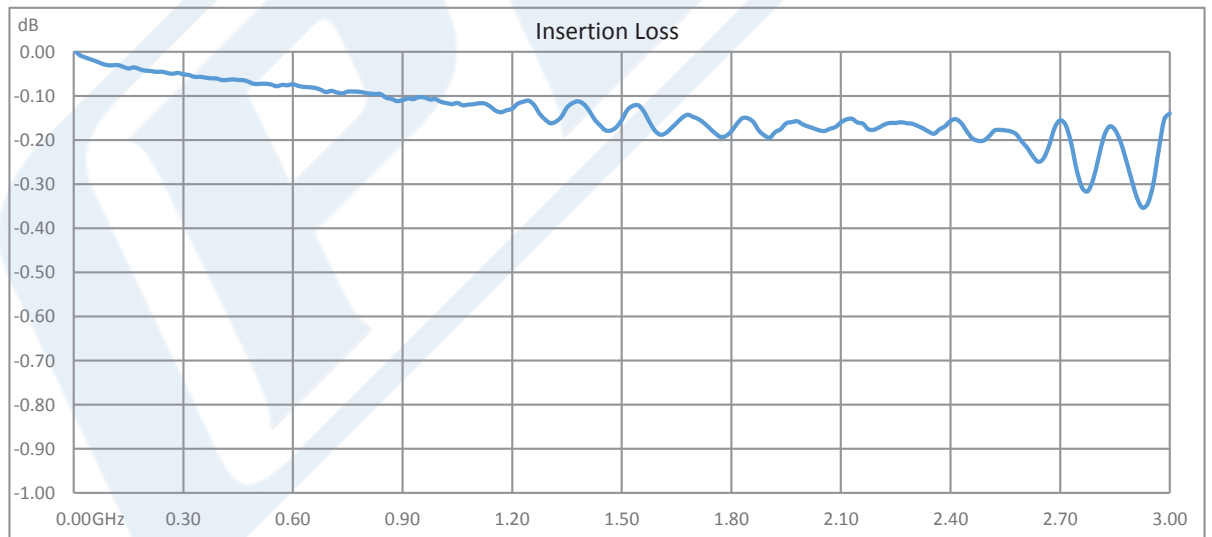


N Female to TNC Female Adapter

RF Adapters Technical Data Sheet

PE9131

Typical Performance Data



Click the following link (or enter part number in "SEARCH" on website) to obtain additional part information including price, inventory and certifications: [N Female to TNC Female Adapter PE9131](#)





N Female to TNC Female Adapter

RF Adapters Technical Data Sheet

PE9131

N Female to TNC Female Adapter from Pasternack Enterprises has same day shipment for domestic and International orders. Our RF, microwave and millimeter wave products maintain a 99% availability and are part of the broadest selection in the industry.

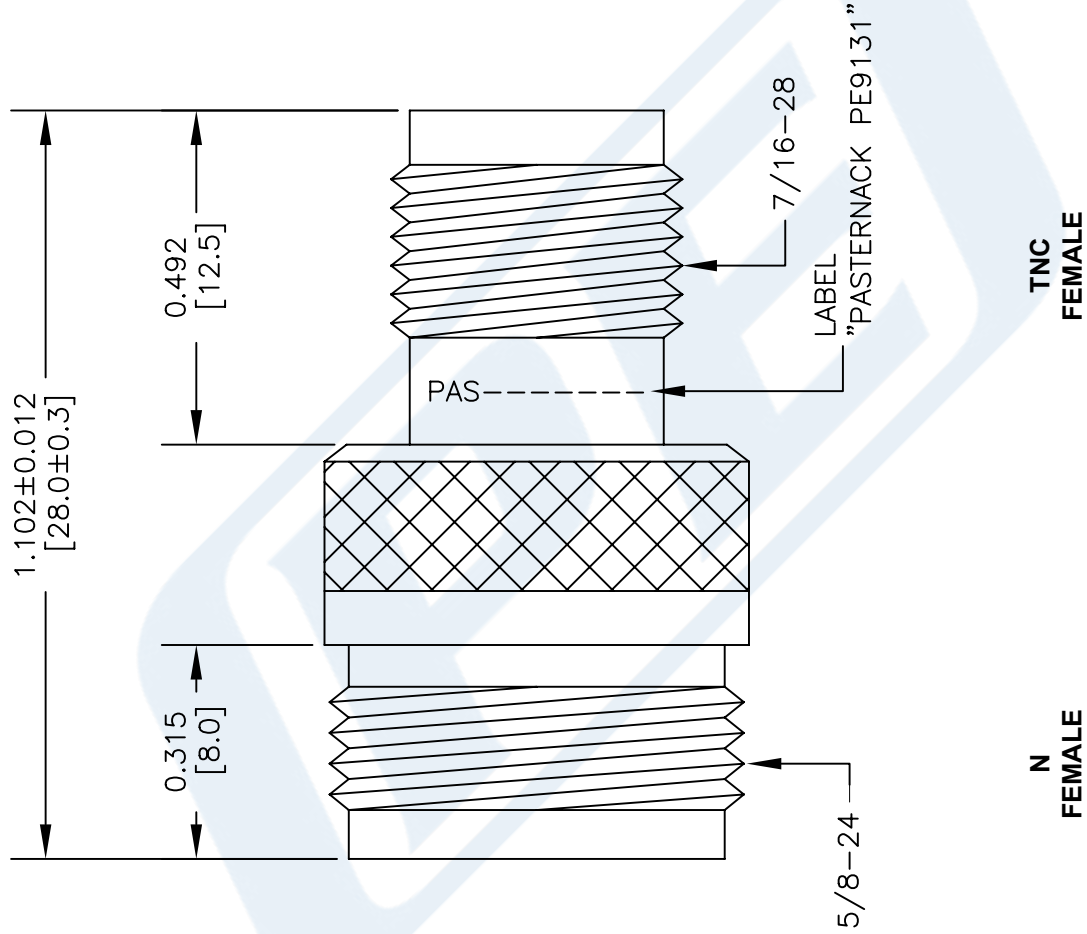
Click the following link (or enter part number in "SEARCH" on website) to obtain additional part information including price, inventory and certifications: [N Female to TNC Female Adapter PE9131](#)

URL: <https://www.pasternack.com/n-female-tnc-female-straight-adapter-pe9131-p.aspx>

The information contained in this document is accurate to the best of our knowledge and representative of the part described herein. It may be necessary to make modifications to the part and/or the documentation of the part, in order to implement improvements. Pasternack reserves the right to make such changes as required. Unless otherwise stated, all specifications are nominal. Pasternack does not make any representation or warranty regarding the suitability of the part described herein for any particular purpose, and Pasternack does not assume any liability arising out of the use of any part or documentation.

PE9131 CAD Drawing

N Female to TNC Female Adapter



STANDARD TOLERANCES	
.X	±0.2
.XX	±0.1
.XXX	±0.05

*STANDARD TOLERANCES APPLY ONLY TO DIMENSIONS IN INCHES

NOTES:
 1. UNLESS OTHERWISE SPECIFIED ALL DIMENSIONS ARE NOMINAL.
 2. ALL SPECIFICATIONS ARE SUBJECT TO CHANGE WITHOUT NOTICE AT ANY TIME.
 3. DIMENSIONS ARE IN INCHES [mm].

DWG TITLE
PE9131

PE PASTERNAK®
 THE ENGINEER'S RF SOURCE
 Pasternack Enterprises, Inc.
 P.O. Box 16759 | Irvine | CA | 92623
 Phone: (949) 261-1920 | Fax: (949) 261-7451
 Website: www.pasternack.com | E-Mail: sales@pasternack.com

FSCM NO. 53919

CAD FILE 052016 SCALE N/A SIZE A 3045