



N Male to UHF Female Adapter

RF Adapters Technical Data Sheet

PE9111

Configuration

- N Male Connector 1
- UHF Female Connector 2
- 50 Ohms
- Straight Body Geometry

Features

- Max VSWR of 1.3:1 up to 300 MHz
- N Interface compliant with MIL-STD-348A
- UHF Interface compliant with MIL-STD-348A
- Gold Plated Brass Contact
- 30 μ-in min Gold Contact Plating

Applications

- Allows Connection Between Series
- General Purpose Test

Description

Pasternack's PE9111 type N male to UHF female adapter is part of our full line of RF components available for same-day shipping. Our type N to UHF adapter has a male to female gender configuration. PE9111 type N male to UHF female adapter operates to 300 MHz. The Pasternack RF adapter provides good VSWR of 1.3:1 maximum.

RF adapters are often used to enable connections between two connector types that would otherwise not mate. Certain adapter configurations can also be used to protect connectors on expensive equipment where the number of connect/disconnect cycles is high. An RF, microwave or millimeter wave adapter is connected to the equipment, and the commonly changed connection is made with the adapter which can be easily replaced when it wears out after high usage; such adapters are referred to as connector savers. Pasternack also offers bulkhead, panel mount, hermetically sealed, reverse polarity, and isolated ground adapter varieties to serve all of your RF, microwave and millimeter wave needs.

Electrical Specifications

Description	Minimum	Typical	Maximum	Units
Frequency Range	DC		300	MHz
VSWR			1.3:1	
Operating Voltage (AC)			500	Vrms

Mechanical Specifications

Size	
Length	1.283 in [32.59 mm]
Width	0.787 in [19.99 mm]
Weight	0.096 lbs [43.54 g]

Click the following link (or enter part number in "SEARCH" on website) to obtain additional part information including price, inventory and certifications: [N Male to UHF Female Adapter PE9111](#)



N Male to UHF Female Adapter

RF Adapters Technical Data Sheet

PE9111

Description	Connector 1	Connector 2
Type	N Male	UHF Female
Polarity	Standard	Standard
Interface Specification	MIL-STD-348A	MIL-STD-348A
Mating Cycles	500	500

Material Specifications

Description	Connector 1		Connector 2	
	Material	Plating	Material	Plating
Type	N Male		UHF Female	
Contact	Brass	Gold 30 μ-in minimum	Brass	Gold 30 μ-in minimum
Insulation	PTFE		PTFE	
Outer Conductor			Brass	Nickel 100 μ-in minimum
Body	Brass	Nickel 100 μ-in minimum		
Gasket	Silicone			
Coupling Nut	Brass	Nickel 100 μ-in minimum		

Environmental Specifications

Temperature

Operating Range

-55 to +85 deg C

Compliance Certifications (see [product page](#) for current document)

Plotted and Other Data

Notes:

Click the following link (or enter part number in "SEARCH" on website) to obtain additional part information including price, inventory and certifications: [N Male to UHF Female Adapter PE9111](#)



N Male to UHF Female Adapter

RF Adapters Technical Data Sheet

PE9111

N Male to UHF Female Adapter from Pasternack Enterprises has same day shipment for domestic and International orders. Our RF, microwave and millimeter wave products maintain a 99% availability and are part of the broadest selection in the industry.

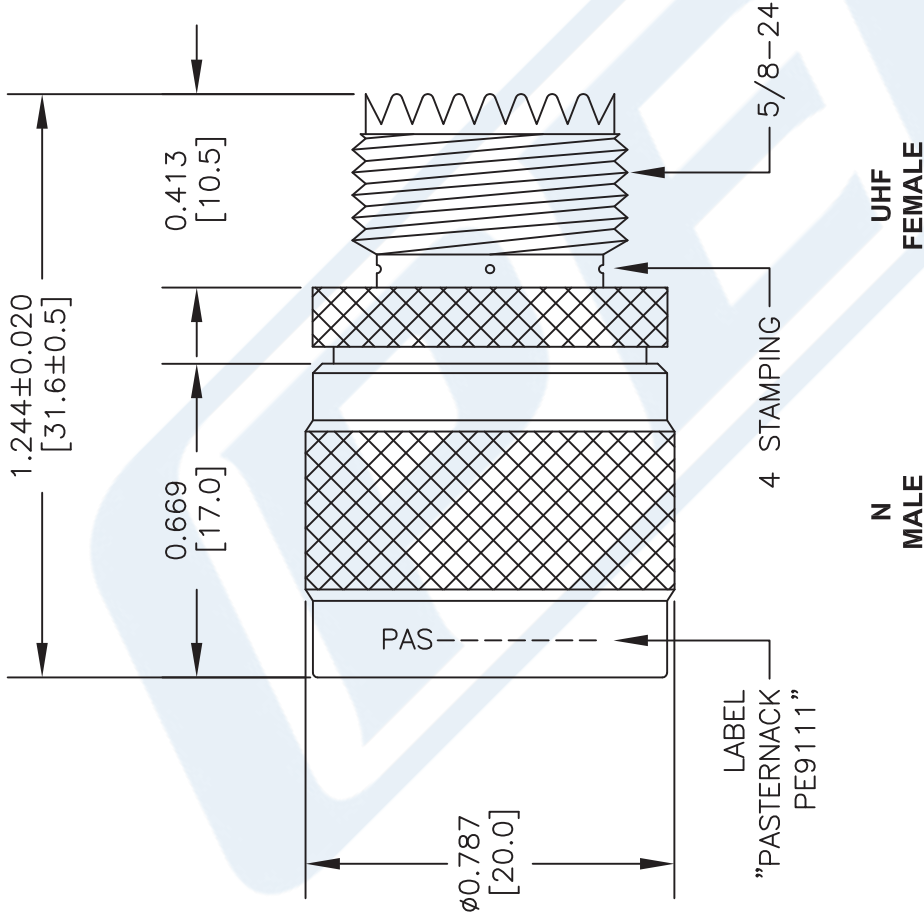
Click the following link (or enter part number in "SEARCH" on website) to obtain additional part information including price, inventory and certifications: [N Male to UHF Female Adapter PE9111](https://www.pasternack.com/n-male-uhf-female-straight-adapter-pe9111-p.aspx)

URL: <https://www.pasternack.com/n-male-uhf-female-straight-adapter-pe9111-p.aspx>

The information contained in this document is accurate to the best of our knowledge and representative of the part described herein. It may be necessary to make modifications to the part and/or the documentation of the part, in order to implement improvements. Pasternack reserves the right to make such changes as required. Unless otherwise stated, all specifications are nominal. Pasternack does not make any representation or warranty regarding the suitability of the part described herein for any particular purpose, and Pasternack does not assume any liability arising out of the use of any part or documentation.

PE9111 CAD Drawing

N Male to UHF Female Adapter



STANDARD TOLERANCES

.X ±0.2
.XX ±0.1
.XXX ±0.05

*STANDARD TOLERANCES APPLY ONLY TO DIMENSIONS IN INCHES

(PE) PASTERNAK®
THE ENGINEER'S RF SOURCE

Pasternack Enterprises, Inc.
P.O. Box 16759 | Irvine | CA | 92623
Phone: (949) 261-1920 | Fax: (949) 261-7451
Website: www.pasternack.com | E-Mail: sales@pasternack.com

DWG TITLE

PE9111

NOTES:
1. UNLESS OTHERWISE SPECIFIED ALL DIMENSIONS ARE NOMINAL.
2. ALL SPECIFICATIONS ARE SUBJECT TO CHANGE WITHOUT NOTICE AT ANY TIME.
3. DIMENSIONS ARE IN INCHES [mm].

FSCM NO. 53919

CAD FILE 021216

SCALE N/A

SIZE A

3045