



2.92mm Male to 2.92mm Female Radius Right Angle Adapter, Up To 40 GHz

RF Adapters Technical Data Sheet

PE91070

Configuration

- 2.92mm Male Connector 1
- 2.92mm Female Connector 2
- 50 Ohm
- Radius Right Angle Body Geometry

Features

- Max VSWR of 1.5:1 up to 40 GHz
- 2.92mm interface compliant with MIL-STD-348
- Epoxy captivation
- Contact plating according to ASTM B-488
- Gold Plated Beryllium Copper Contact

Applications

- General Purpose Test

Description

Pasternack's PE91070 2.92mm male to 2.92mm female radius right angle adapter is part of our full line of RF components available for same-day shipping. The 2.92mm connector mates mechanically with commercially available SMA and 3.5mm connectors. Our 2.92mm to 2.92mm adapter has a male to female gender configuration. PE91070 2.92mm male to 2.92mm female adapter operates to 40 GHz. The Pasternack RF adapter provides good VSWR of 1.5:1 maximum. This radius right angle 2.92mm to 2.92mm adapter allows for easier connections in tight spaces.

RF adapters are often used to enable connections between two connector types that would otherwise not mate. Certain adapter configurations can also be used to protect connectors on expensive equipment where the number of connect/disconnect cycles is high. An RF, microwave or millimeter wave adapter is connected to the equipment, and the commonly changed connection is made with the adapter which can be easily replaced when it wears out after high usage; such adapters are referred to as connector savers. Pasternack also offers bulkhead, panel mount, hermetically sealed, reverse polarity, and isolated ground adapter varieties to serve all of your RF, microwave and millimeter wave needs.

Electrical Specifications

Description	Minimum	Typical	Maximum	Units
Frequency Range	DC		40	GHz
VSWR			1.5:1	
Insertion Loss			0.5	dB
Operating Voltage (AC)			500	Vrms
Dielectric Withstanding Voltage (AC)			1,500	Vrms
High Potential Voltage at 5 MHz			1,000	Vrms
Corona Discharge at 70,000 ft			375	Vrms
Inner Conductor DC Resistance			3	mOhms
Outer Conductor DC Resistance			2	mOhms

Click the following link (or enter part number in "SEARCH" on website) to obtain additional part information including price, inventory and certifications: [2.92mm Male to 2.92mm Female Radius Right Angle Adapter, Up To 40 GHz PE91070](#)



2.92mm Male to 2.92mm Female Radius Right Angle Adapter, Up To 40 GHz

RF Adapters Technical Data Sheet

PE91070

Insulation Resistance 5,000 MOhms

Electrical Specification Notes:
RF Leakage: -90 dB max from 2 to 3 GHz.

Mechanical Specifications

Size

Length 0.85 in [21.59 mm]
 Width 0.312 in [7.92 mm]
 Weight 0.011 lbs [4.99 g]

Description	Connector 1	Connector 2
Type	2.92mm Male	2.92mm Female
Polarity	Standard	Standard
Interface Specification	MIL-STD-348	MIL-STD-348
Contact Captivation Method	Epoxy	Epoxy
Mating Cycles	500	500
Hex Size	5/16 in.	
Mating Torque	8 in-lbs [0.90 Nm] max	

Material Specifications

Description	Connector 1		Connector 2	
	Material	Plating	Material	Plating
Type	2.92mm Male		2.92mm Female	
Contact	Beryllium Copper	Gold ASTM B-488	Beryllium Copper	Gold ASTM B-488
Insulation	PTFE		PTFE	
Outer Conductor			Passivated Stainless Steel	ASTM A-967
Body	Passivated Stainless Steel	ASTM A-967		
Coupling Nut	Passivated Stainless Steel	ASTM A-967		

Environmental Specifications

Temperature

Operating Range -55 to +125 deg C

Click the following link (or enter part number in "SEARCH" on website) to obtain additional part information including price, inventory and certifications: [2.92mm Male to 2.92mm Female Radius Right Angle Adapter, Up To 40 GHz PE91070](#)



2.92mm Male to 2.92mm Female Radius
Right Angle Adapter, Up To 40 GHz

RF Adapters Technical Data Sheet

PE91070

Humidity
Shock
Vibration
Temperature Cycling
Thermal Shock
Salt Spray

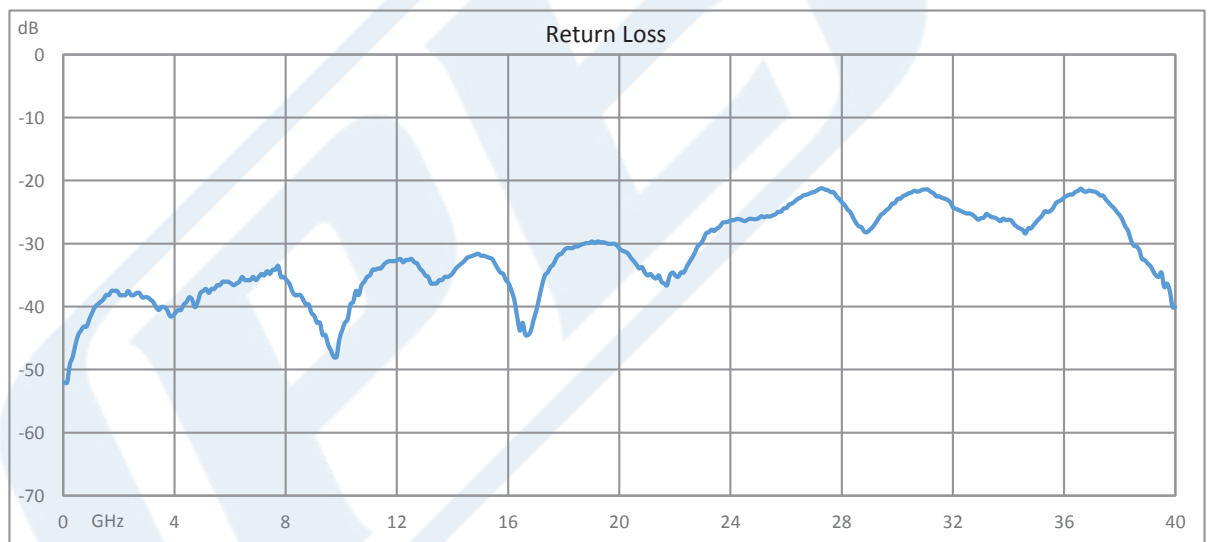
MIL-STD-202, Method 106
MIL-STD-202, Method 213, Test Cond. I
MIL-STD-202, Method 204, Test Cond. D
MIL-STD-202, Method 102, Test Cond. C
MIL-STD-202, Method 107, Test Cond. B
MIL-STD-202, Method 101, Test Cond. B

Compliance Certifications (see [product page](#) for current document)

Plotted and Other Data

Notes:

Typical Performance Data



Click the following link (or enter part number in "SEARCH" on website) to obtain additional part information including price, inventory and certifications: [2.92mm Male to 2.92mm Female Radius Right Angle Adapter, Up To 40 GHz PE91070](#)

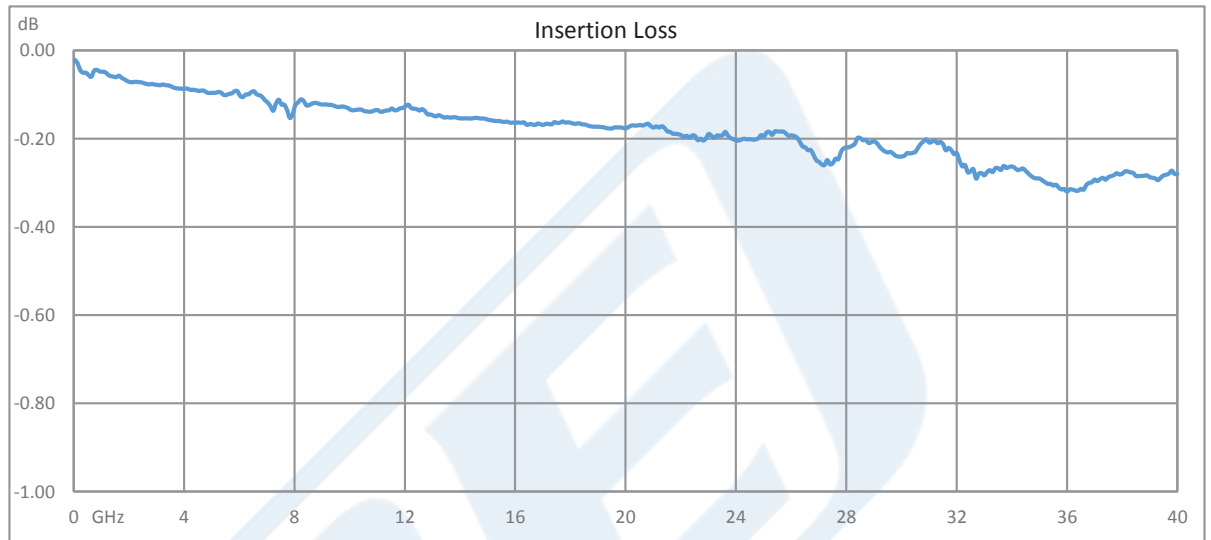




2.92mm Male to 2.92mm Female Radius
Right Angle Adapter, Up To 40 GHz

RF Adapters Technical Data Sheet

PE91070



2.92mm Male to 2.92mm Female Radius Right Angle Adapter, Up To 40 GHz from Pasternack Enterprises has same day shipment for domestic and International orders. Our RF, microwave and millimeter wave products maintain a 99.4% availability and are part of the broadest selection in the industry.

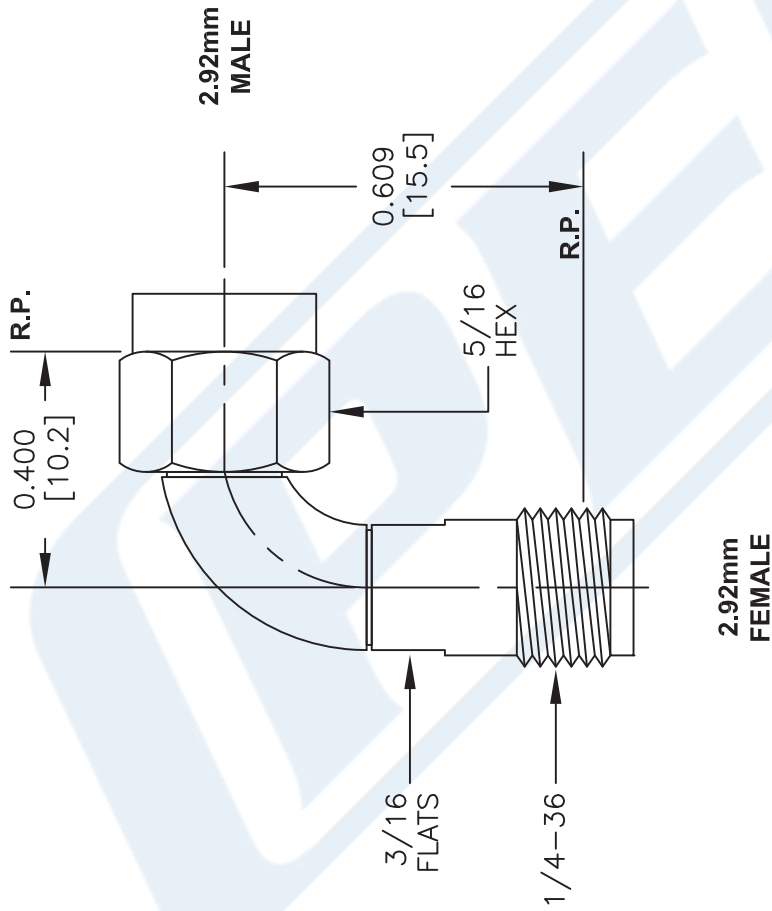
Click the following link (or enter part number in "SEARCH" on website) to obtain additional part information including price, inventory and certifications: [2.92mm Male to 2.92mm Female Radius Right Angle Adapter, Up To 40 GHz PE91070](https://www.pasternack.com/2.92mm-male-2.92mm-female-radius-right-angle-adapter-pe91070-p.aspx)

URL: <https://www.pasternack.com/2.92mm-male-2.92mm-female-radius-right-angle-adapter-pe91070-p.aspx>

The information contained in this document is accurate to the best of our knowledge and representative of the part described herein. It may be necessary to make modifications to the part and/or the documentation of the part, in order to implement improvements. Pasternack reserves the right to make such changes as required. Unless otherwise stated, all specifications are nominal. Pasternack does not make any representation or warranty regarding the suitability of the part described herein for any particular purpose, and Pasternack does not assume any liability arising out of the use of any part or documentation.

PE91070 CAD Drawing

2.92mm Male to 2.92mm Female Radius Right Angle Adapter, Up To 40 GHz



STANDARD TOLERANCES

.X ±0.2
.XX ±0.1
.XXX ±0.05

*STANDARD TOLERANCES APPLY ONLY TO DIMENSIONS IN INCHES



PASTERNAK
THE ENGINEER'S RF SOURCE
Pasternack Enterprises, Inc.
P.O. Box 16759 | Irvine | CA | 92623
Phone: (949) 261-1920 | Fax: (949) 261-7451
Website: www.pasternack.com | E-Mail: sales@pasternack.com

DWG TITLE

PE91070

FSCM NO. 53919

CAD FILE 020416

SCALE N/A

SIZE A

3045

NOTES:
1. UNLESS OTHERWISE SPECIFIED ALL DIMENSIONS ARE NOMINAL.
2. ALL SPECIFICATIONS ARE SUBJECT TO CHANGE WITHOUT NOTICE AT ANY TIME.
3. DIMENSIONS ARE IN INCHES [mm].