



50 Ohm SMA Male To 75 Ohm F Female Matching Pad
 Operating From DC to 3 GHz RoHS Compliant

TECHNICAL DATA SHEET

PE7076

50 Ohm SMA Male To 75 Ohm F Female Matching Pad Operating From DC to 3 GHz RoHS Compliant

Configuration

Design	Fixed Matching Pad
Body Style	Straight
Connector 1	SMA Male
Impedance 1	50 Ohms
Connector Specification 1	MIL-STD-348
Connector 2	F Female
Impedance 2	75 Ohms

Electrical Specifications

Frequency Range, GHz	DC to 3
Maximum VSWR	1.25:1
Maximum Attenuation, dB	5.7
Attenuation Accuracy	± 0.5
Maximum Input Power, Watts	2
Peak Power, Watts	250
Peak Power Duty Cycle, µs	5
Directionality	Bidirectional

Mechanical Specifications

Size

Length, in [mm]	1.53 [38.86]
Width/Dia., in [mm]	0.43 [10.92]
Body Material and Plating	Passivated Stainless Steel

Connector 1

Type	SMA Male
Inner Conductor Material and Plating	Beryllium Copper, Gold
Coupling Nut Material and Plating	Passivated Stainless Steel
Hex Size, in.	5/16
Torque, in-lbs [Nm]	8 [0.9]
Body Material and Plating	Passivated Stainless Steel

Connector 2

Type	F Female
Inner Conductor Material and Plating	Brass, Nickel
Body Material and Plating	Brass, Nickel

Compliance Certifications (visit www.Pasternack.com for current document)

RoHS Compliant	Yes
----------------	-----

Click the following link (or enter part number in "SEARCH" on website) to obtain additional part information including price, inventory and certifications: [50 Ohm SMA Male To 75 Ohm F Female Matching Pad Operating From DC to 3 GHz RoHS Compliant PE7076](#)

The information contained in this document is accurate to the best of our knowledge and representative of the part described herein. It may be necessary to make modifications to the part and/or the documentation of the part, in order to implement improvements. Pasternack reserves the right to make such changes as required. Unless otherwise stated, all specifications are nominal.





50 Ohm SMA Male To 75 Ohm F Female Matching Pad
Operating From DC to 3 GHz RoHS Compliant

TECHNICAL DATA SHEET

PE7076

Plotted and Other Data

Notes:

Values at 25 °C, sea level

75 Ohm Type N Connectors Mate Only With Other 75 Ohm Connectors. Mating With 50 Ohm Connectors May Damage Center Conductors.

50 Ohm SMA Male To 75 Ohm F Female Matching Pad Operating From DC to 3 GHz RoHS Compliant from Pasternack Enterprises has same day shipment for domestic and International orders. Our RF, microwave and fiber optic products maintain a 99% availability and are part of the broadest selection in the industry.

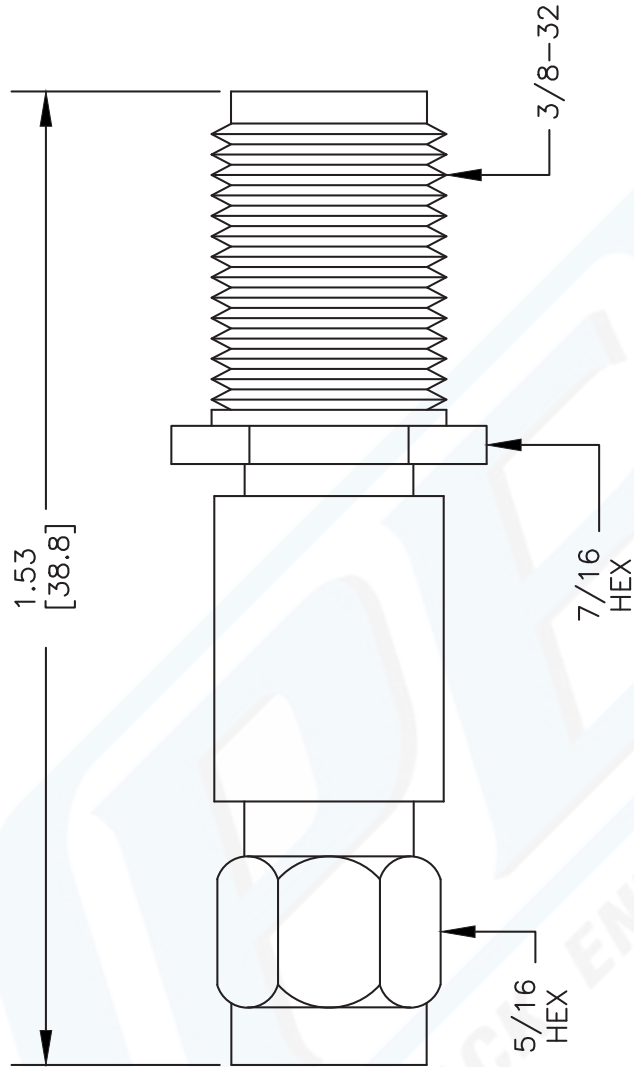
Click the following link (or enter part number in "SEARCH" on website) to obtain additional part information including price, inventory and certifications: [50 Ohm SMA Male To 75 Ohm F Female Matching Pad Operating From DC to 3 GHz RoHS Compliant PE7076](#)

URL: <http://www.pasternack.com/50-ohm-sma-male-75-ohm-f-female-matching-pad-pe7076-p.aspx>

The information contained in this document is accurate to the best of our knowledge and representative of the part described herein. It may be necessary to make modifications to the part and/or the documentation of the part, in order to implement improvements. Pasternack reserves the right to make such changes as required. Unless otherwise stated, all specifications are nominal.

PE7076 CAD Drawing

50 Ohm SMA Male To 75 Ohm F Female Matching Pad
Operating From DC to 3 GHz RoHS Compliant



DWG TITLE

PE7076

NOTES:
1. UNLESS OTHERWISE SPECIFIED ALL DIMENSIONS ARE NOMINAL.
2. ALL SPECIFICATIONS ARE SUBJECT TO CHANGE WITHOUT NOTICE AT ANY TIME.
3. DIMENSIONS ARE IN INCHES [mm].

REV. A

FSCM NO. 53919

CAD FILE 020612

SCALE N/A

SIZE A

2233



Pasternack Enterprises, Inc.
P.O. Box 16759 | Irvine | CA | 92623
Phone: (949) 261-1920 | Fax: (949) 261-7451
Website: www.pasternack.com | E-Mail: sales@pasternack.com