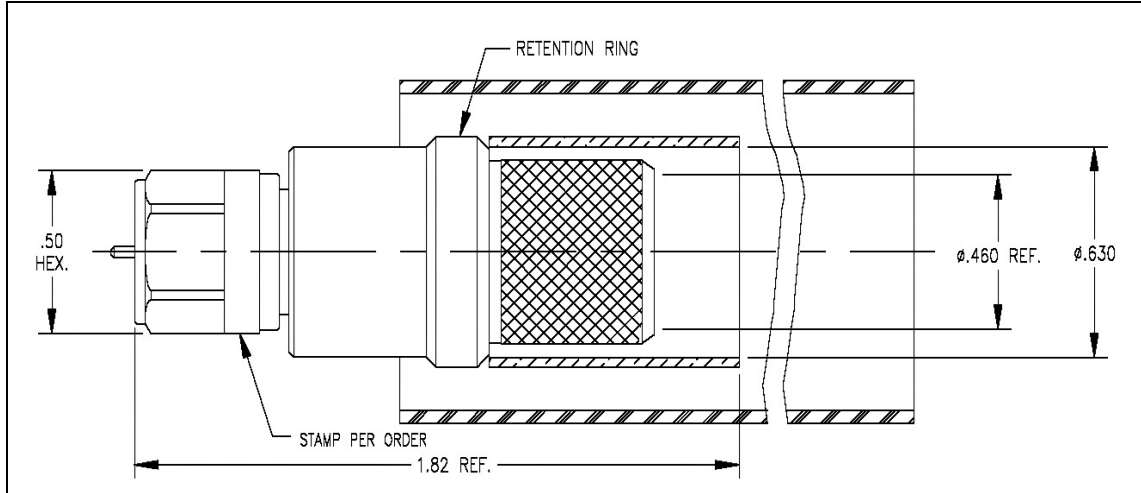


THE REVISION STATUS OF ALL SHEETS OF THIS DRAWING IS THE SAME AS SHEET 1

LTR	DESCRIPTION	DATE	BY
-	Released	3/22/04	JCL



I. MATERIALS & FINISHES

- center contact: Gold Plated Brass
- outer contact: Nickel Plated Brass
- coupling nut: Nickel Plated Brass
- body: Nickel Plated Brass
- crimp sleeve: Nickel Plated Copper
- dielectric: Teflon® PTFE
- gasket: Silicone Rubber
- shrink sleeve: Adhesive Lined Polyolefin
- attachment: braid crimp (.610"hex)

II. ELECTRICAL PROPERTIES

- impedance: 75 ohms
- working voltage: 500 vrms (max)
- vswr: 1.35:1 (max) up to 2.0 GHz
- insertion loss: 0.15 x √Fghz


Australian Representatives
ROJONE, PTY LTD.
 Tel: 02 9829 1555
 E: sales@rojone.com.au
 www.rojone.com.au

Unless otherwise specified, dimensions are in inches. Tolerances are applicable when specified.

These drawings and specifications contain proprietary information which is the property of Times Microwave Systems.

Approvals		
Drawn	JCL	3/22/04


TIMES MICROWAVE SYSTEMS
 Wallingford, CT 06492
 (203) 949-8400; (203) 949-8423.Fax
 www.timesmicrowave.com

EZ-600-FMH-75
Type-F male Straight Plug
for LMR-600-75 Cable

Size A	CAGE CODE 68999	Drawing No.: 3190-1619
Scale: NA	Rev. (-)	Sheet: 1 of 1