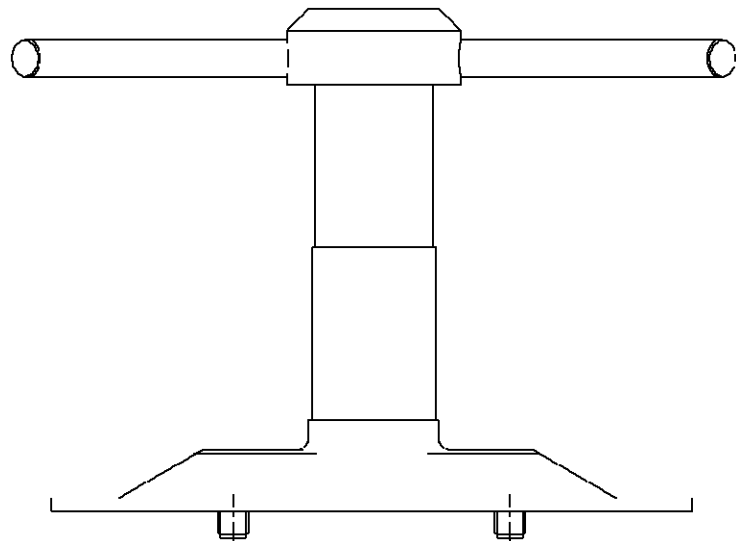




21-30-31
UHF SATCOM Antenna
225 to 400 MHz

FEATURES

- **Suitable for helicopters and aircraft operating up to 350 knots**
- **Robust Construction**
- **Lightweight**
- **Hemispherical radiation pattern coverage with separate Hi and Lo angle elements**
- **200 Watts CW Power handling**
- **Designed to MIL-STD-810 environmental requirements**
- **8 hole mounting plate to replace heavier “batwing” types**



The 21-30-31 is a combined Hi-Lo angle UHF Satcom Antenna designed for installation on military helicopters & aircraft operating up to 350 knots. The 21-30-31 has the coaxial connectors mounted on the bottom of the antenna base which has an 8 hole mounting plate.

The antenna consists of two co-located elements; a circularly polarized cross-dipole and a linearly polarized broadband monopole. The two elements have separate RF feeds, and by manual selection of either, full hemispheric pattern coverage is provided. The Lo angle mode is intended for elevation angles up to about 45° and the Hi angle for approximately 45° to zenith.

Construction is from rugged fiberglass, foam-filled for structural integrity and prevention of moisture ingress and has aluminum alloy dipole elements and base mounting flange.

The antenna footprint compatible with, and a lightweight replacement for various types of “mushroom” and “batwing” designs.

Cooper Antennas Ltd for non-USA customers
Thames Industrial Estate, Unit K, Fieldhouse Lane,
Buckinghamshire SL7 1TB, UK
Tel: +44 (0) 1628 482 360
Email: sales@cooperantennas.com
www.cooperantennas.com



Australian Representatives
ROJONE, PTY LTD.
Tel: 02 9829 1555
E: sales@rojone.com.au
www.rojone.com.au

SPECIFICATIONS

Model 21-30-31

UHF SATCOM Antennas

ELECTRICAL

Frequency	Lo Angle : 225 - 400 MHz Hi Angle : 225 - 400 MHz
Gain (typical)	Lo Angle: +3 dBiL Hi Angle: +8 dBiC
VSWR	Lo Angle: ≤ 3.0:1 Hi Angle: ≤ 1.5:1
Impedance (nominal)	50 Ohms
Power	200 Watts CW
Polarization	Lo Angle: Linear Hi Angle: Right Hand Circular (maximum at zenith)
Antenna RF Connector	Lo Angle: TNC Female Hi Angle: N Female
Operational Temperature	- 66°F (- 54 °C) to + 160°F (+71°C)

MECHANICAL

Dipole span	19.9 inches (505mm)
Overall Height	10 inches (254mm)
Weight	3.5 lbs (1.6kg)
Fixing Holes	8 x Ø 0.218/0.229 inch (5.5/5.8mm) holes, counter sunk Ø 0.394/0.413 inches (10.0/10.49mm)

FINISH

Standard	Lusterless black urethane
-----------------	----------------------------------

Other finish options are available. Please specify finish required when ordering.

**Note: Cooper Antennas Ltd has a policy of continuous product improvement and data herein is therefore subject to change.
Please check with Cooper Antennas Ltd that this data sheet is at latest issue before initiating contract activity.**